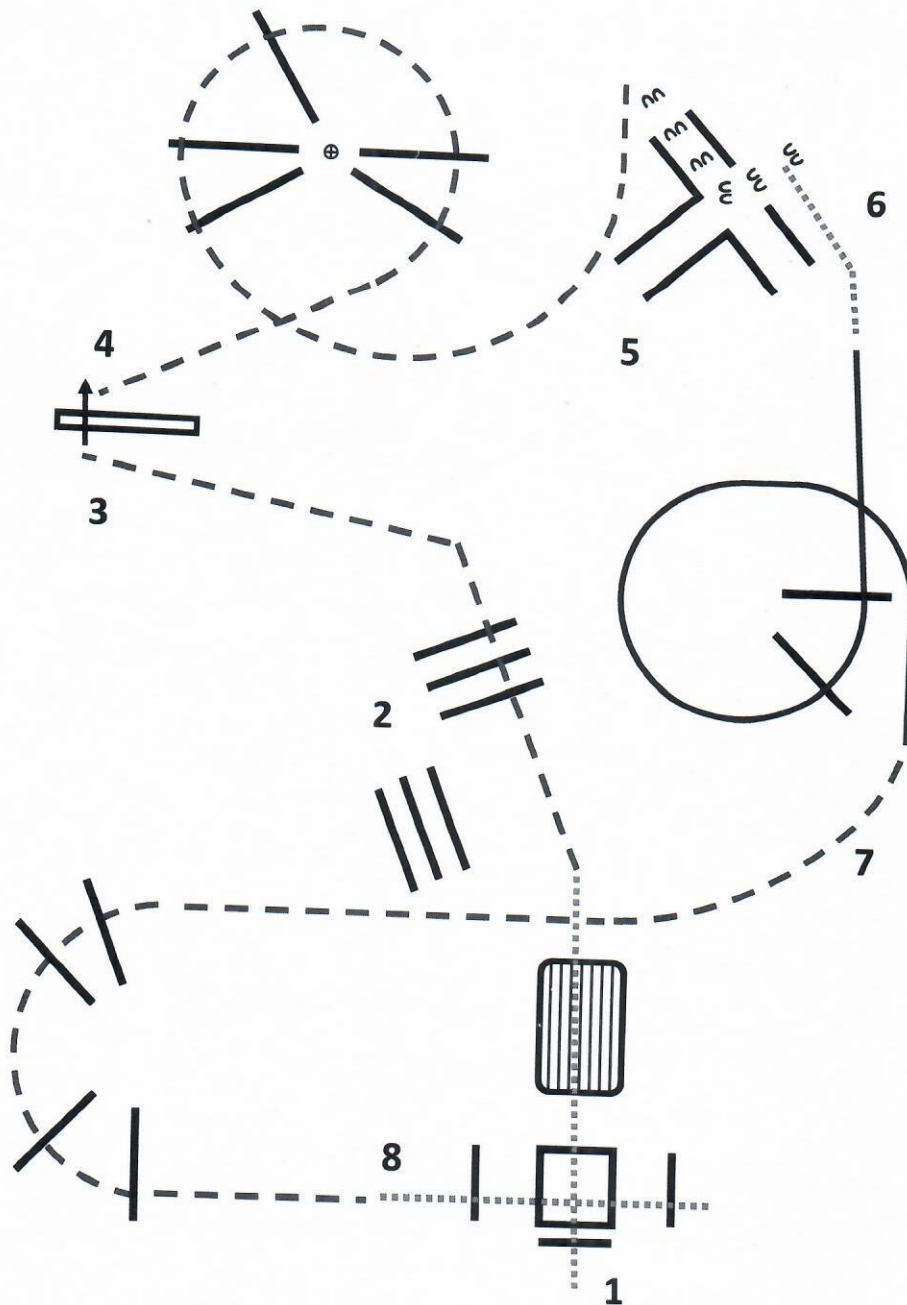


Bewerb 28 R Trail

Bewerb 29 Y Trail



1. walk over box and bridge

2. jog over to gate

3. open gate right hand

4. jog over

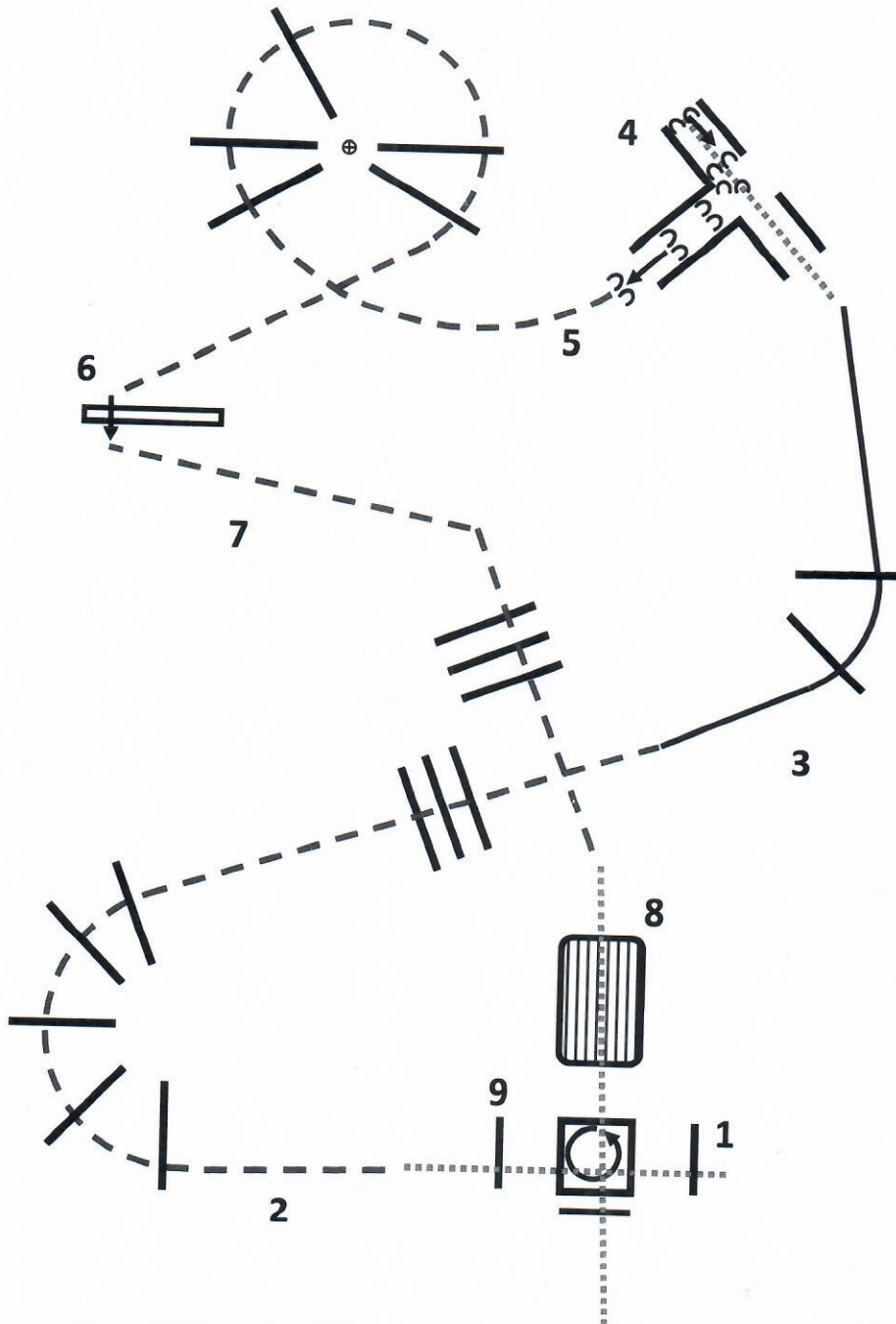
5. back up

6. walk, lope over right lead

7. jog over

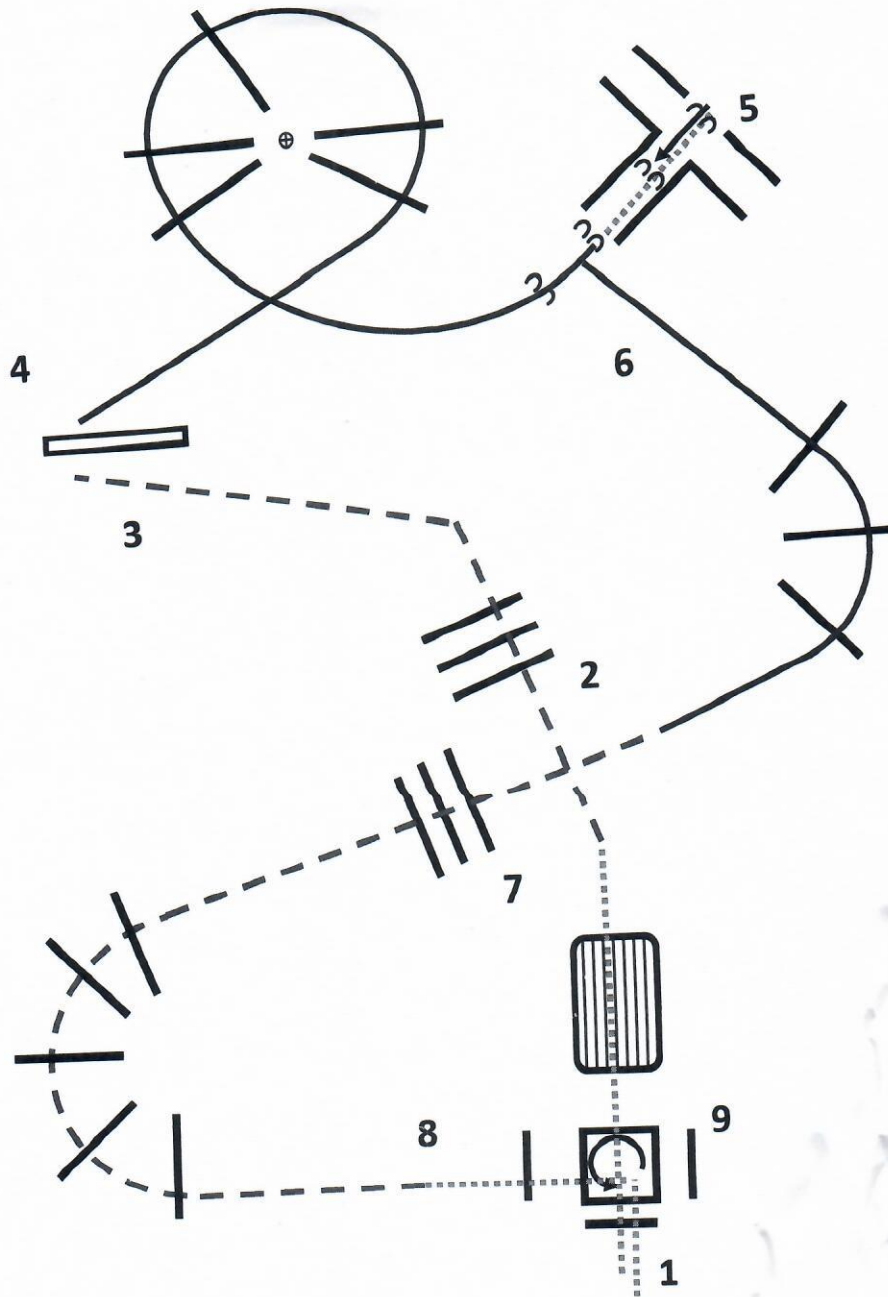
8. walk over

Bewerb 30 NY Trail



- | | |
|------------------------|------------------------------|
| 1. walk over poles | 6. open gate left hand |
| 2. jog over | 7. jog over |
| 3. lope over left lead | 8. walk over bridge into box |
| 4. walk in and back up | 9. turn 1x left , walk out |
| 5. jog over | |

Bewerb 31 A Trail



1. walk over box and bridge

2. jog over to gate

3. open gate right hand

4. lope over left lead

5. walk in and back up

6. lope over right lead

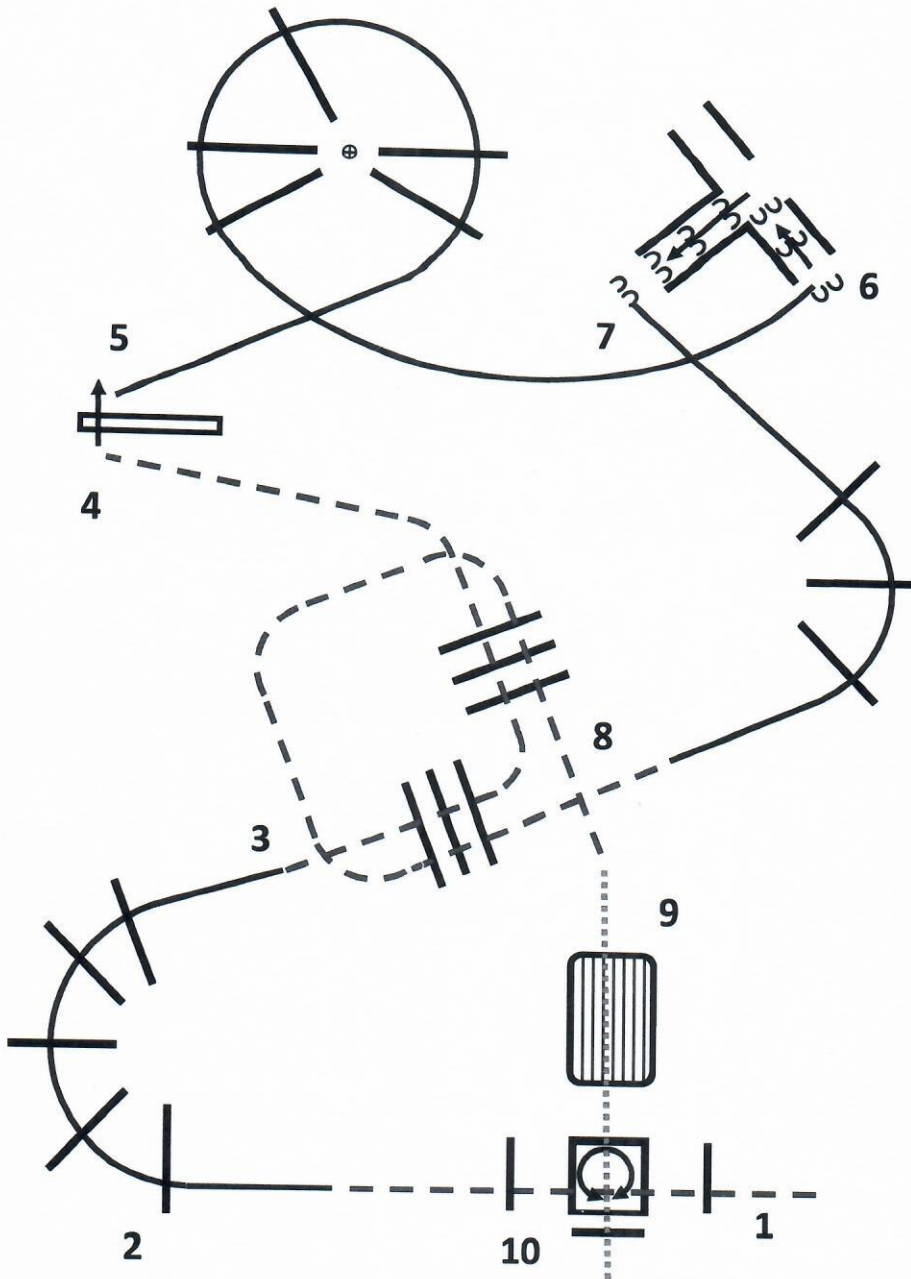
7. jog over

8. walk over into box

9. turn 3/4 left , walk out

Bewerb 32 NA Trail

Bewerb 33 O Trail



- | | |
|-------------------------|----------------------------------|
| 1. jog over | 6. back up |
| 2. lope over right lead | 7. lope over right lead |
| 3. jog over to gate | 8. jog over |
| 4. open gate right hand | 9. walk over bridge into box |
| 5. lope over left lead | 10. turn 2x either way, walk out |