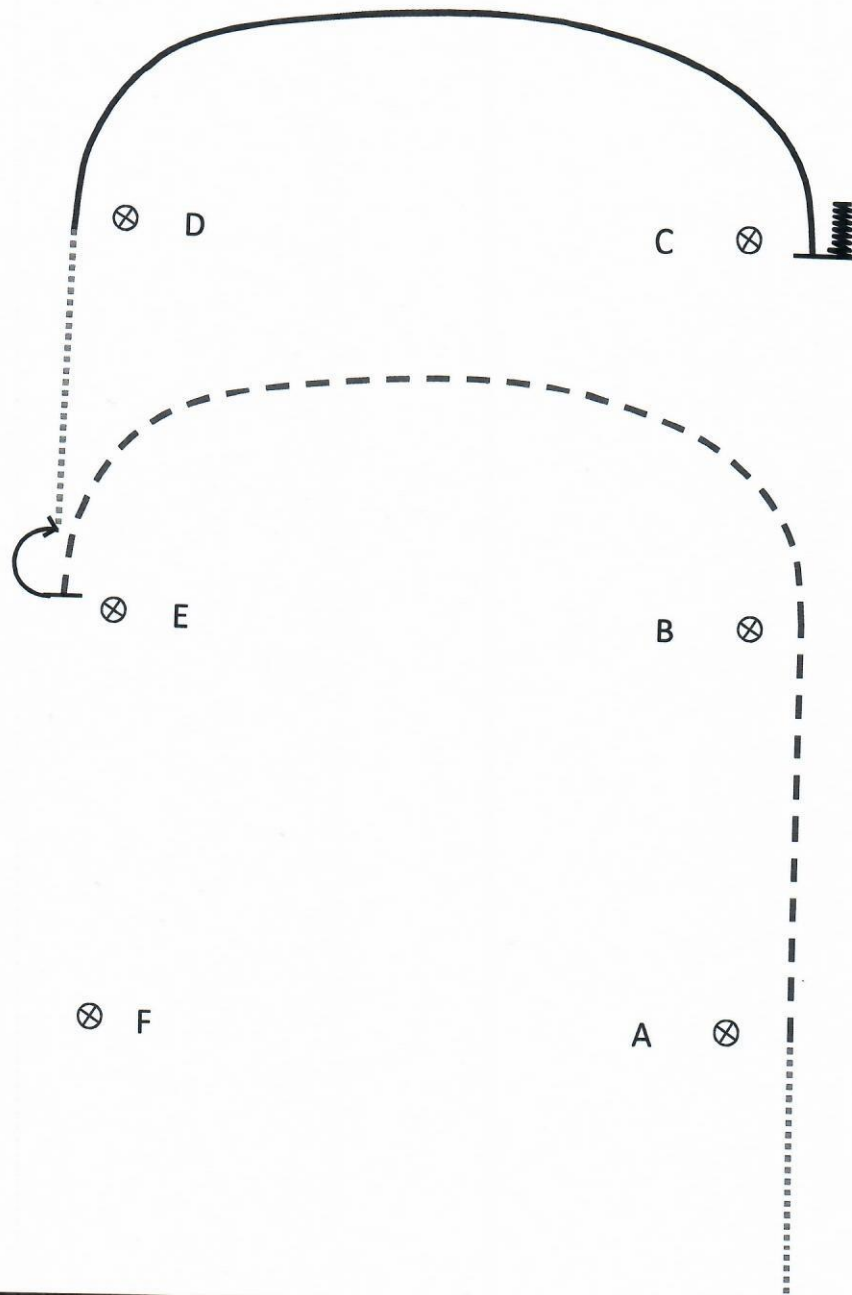


BEWERB 4 HORSEMANSHIP ROOKY



Walk to

A) jog straight to

B) jog half Circle to E, stop

E) turn 180° right, walk to D

D) lope half Circle right lead to C, stop

C) back up at least 2 m



Rund ums Pferd

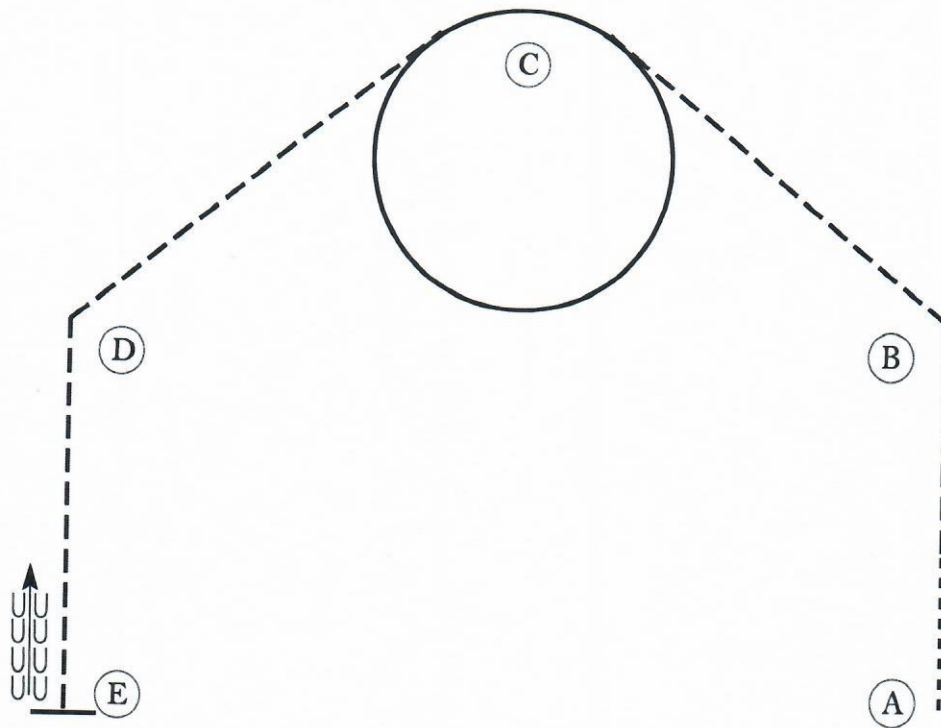
spezial@neuherz.co.at

ATU 304 98 200

Reitplatzbau  
Sandgemische  
Trettschichten  
Vlieshäcksel  
Bahnplaner  
Reitplatzmatten  
Boxenbau

Designed by Harald Platteter

BEWERB 5 HORSEMANSHIP AMATEUR



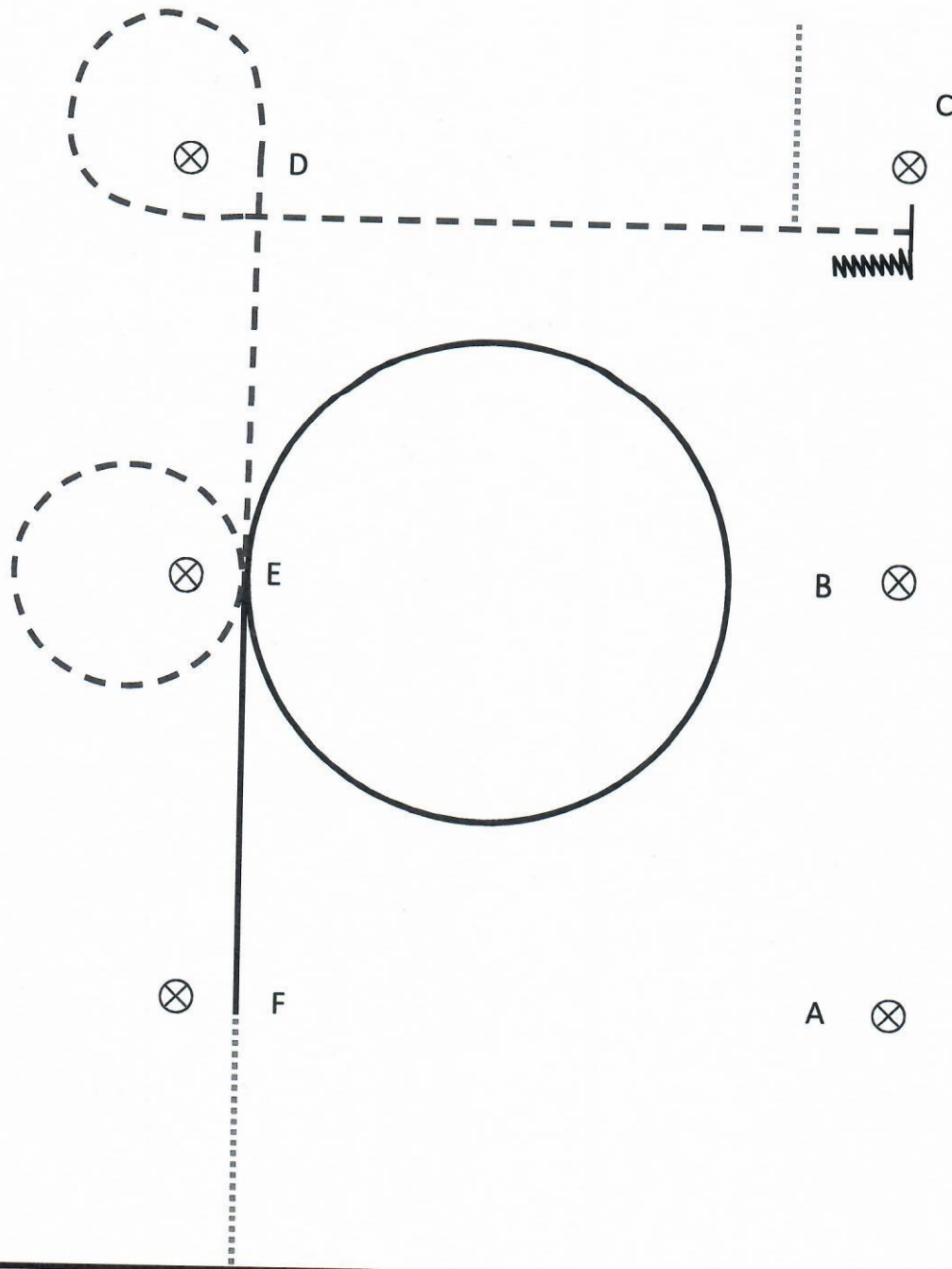
Be ready at A.

1. Walk approximately 2 horse lengths from A.
2. Trot on the right diagonal to C.
3. Canter a circle on the left lead around C.
4. Sitting trot to D.
5. Trot on the left diagonal to E.
6. Halt at E and back approximately one horse length.

When dismissed, follow the instructions of your ring steward.

Walk	-----
Trot	- - - - -
Extended Trot	=====
Canter	—————
Leg Yield	
Lead Change	↗ ↘
Back	← 2222 ← 5555
Marker	(B)
Sidepass	← ← ←
Hand Gallop	———

BEWERB 6 HORSEMANSHIP JOUTH



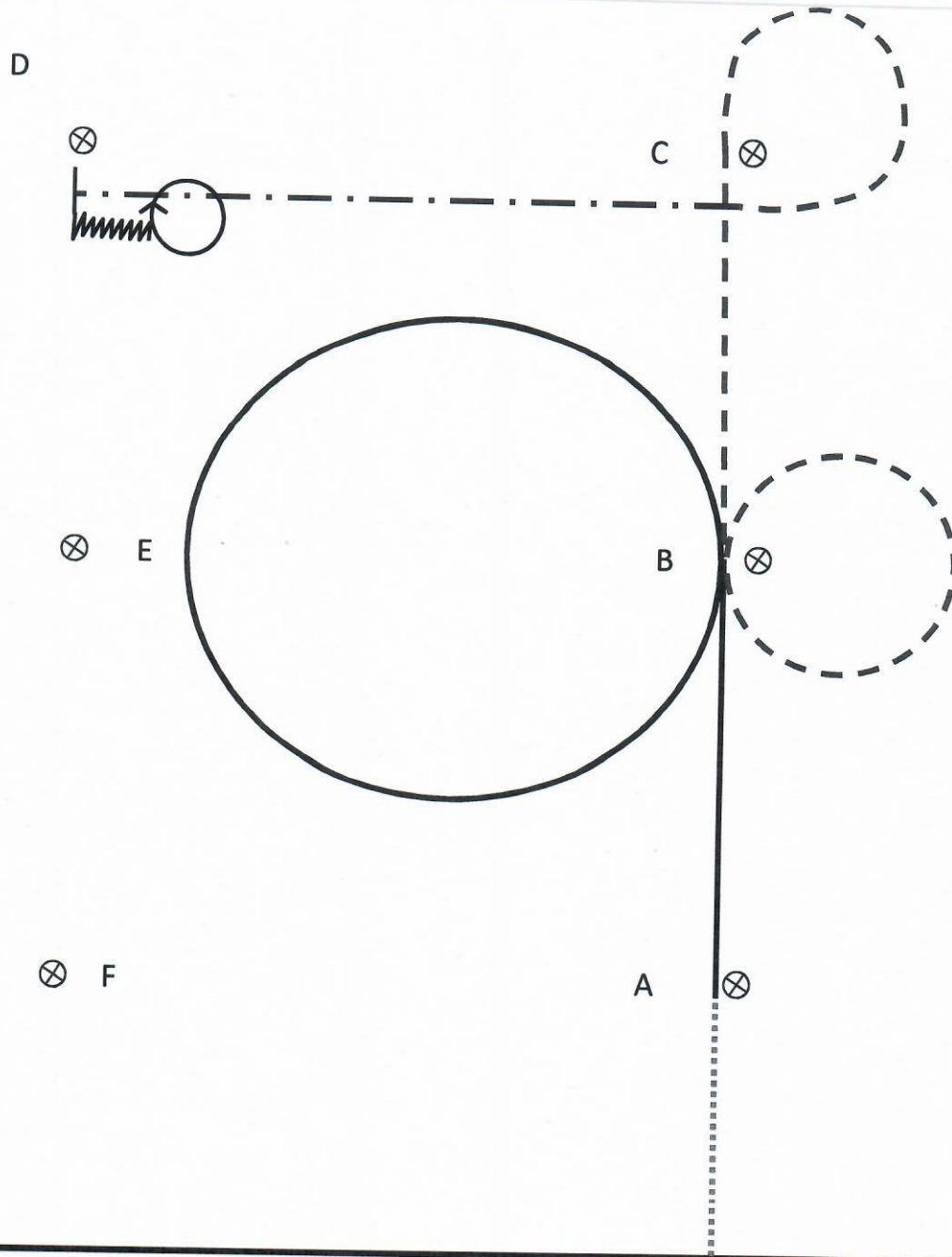
walk to

- F lope right lead to
- E lope right lead circle; jog small circle; jog to
- D jog around D; jog to
- C stop; back; turn 450° left; walk out

**NEUFERZ**  
 Rund ums Pferd  
 spezial@neufertz.co.at  
 ATU 304 99 200

Reitplatzbau  
 Sandgemische  
 Tretschichten  
 Vlieshüchel  
 Bahnplaner  
 Reitplatzmatten  
 Boxenbau

BEWERB 7 HORSEMANSHIP OPEN



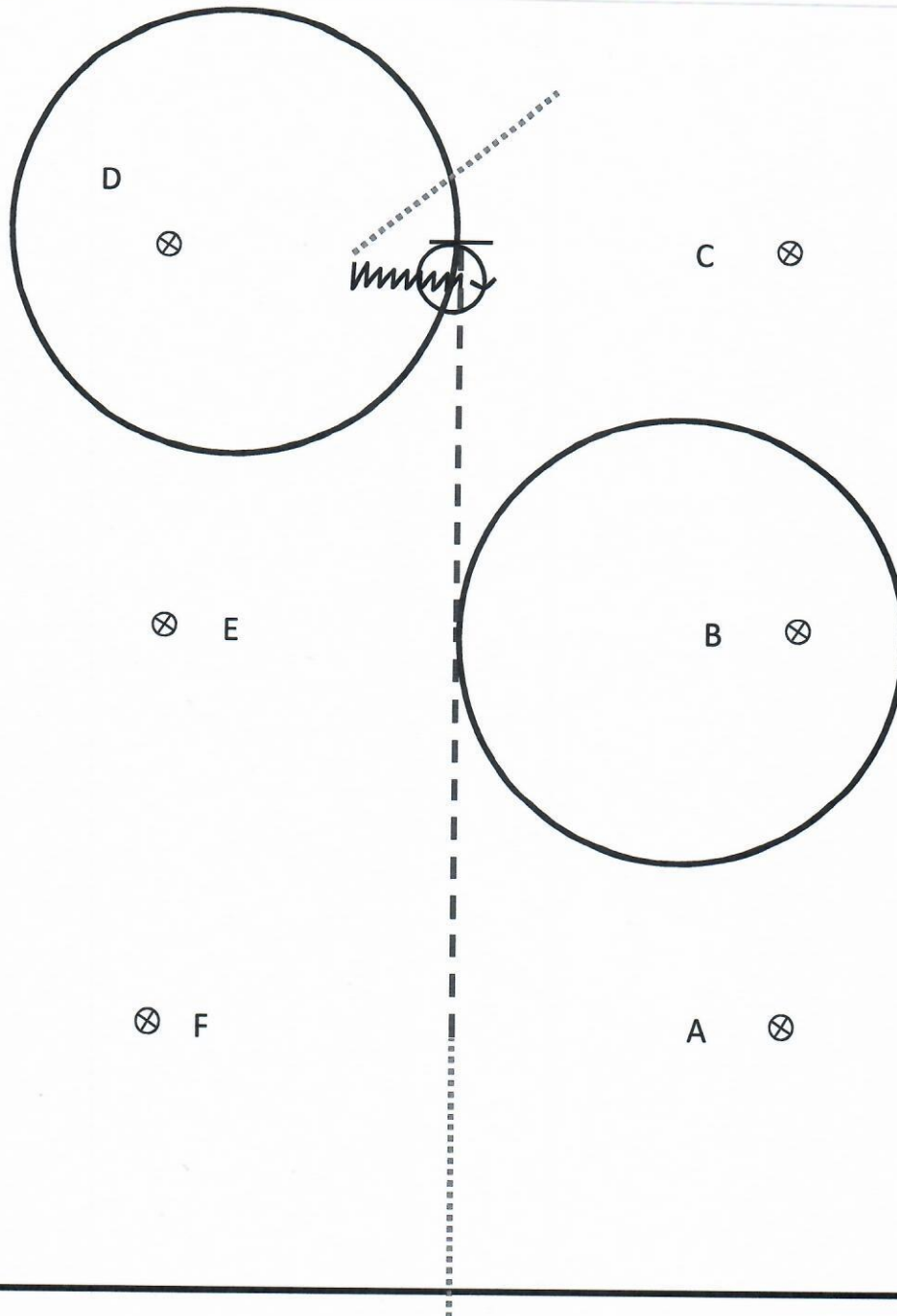
walk to

- A lope left lead to
- B lope left lead circle; jog small circle; jog to
- C jog around C; extended jog to
- D stop; back; turn 360° right; walk out

  
**NEUHERZ**  
 Rund ums Pferd  
 spezial@neuerz.co.at  
 ATU 304 98 200

Reitplatzbau  
 Sandgemische  
 Tretschichten  
 Vlieshülsen  
 Bahnplaner  
 Reitplatzmatten  
 Boxenbau

BEWERB 20 HORSEMANSHIP OPEN



walk to

A/F jog to

B/E lope right lead around B; jog to

C/D lope left lead around D;  
stop; turn 450° right; back up

  
 Rund ums Pferd  
 spezial@neuerz.co.at  
 ATU 304 99 200

Reitplatzbau  
 Sandgemische  
 Tretschichten  
 Vlieshückerl  
 Bahnplaner  
 Reitplatzmatten  
 Boxenbau

Designed by Harald Platteter