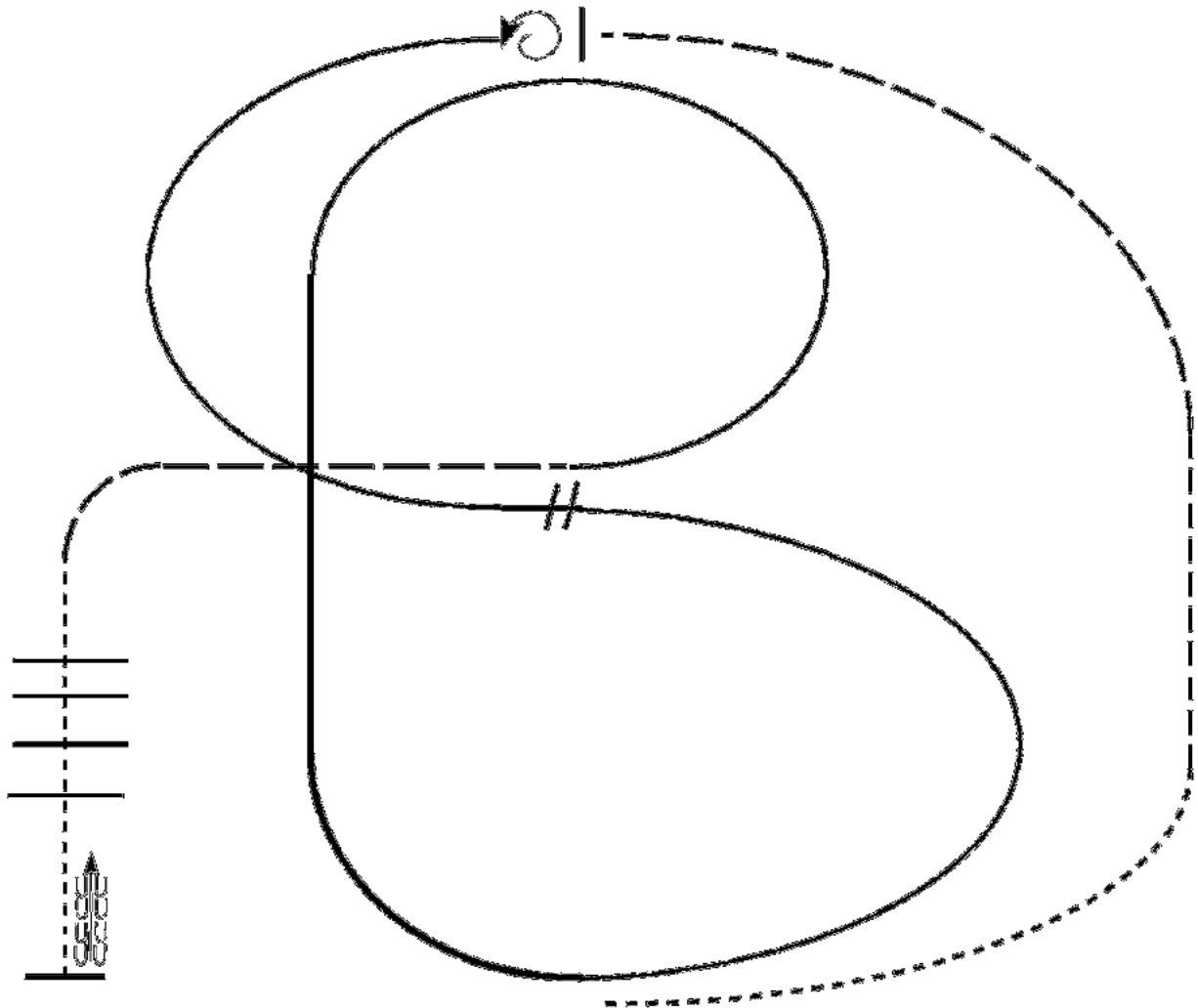


STYRIAN PAINT HORSE CLASSIC 2021

RaRiding Amateur und Open APHA u. ZNS (Class 91, 92, 93, 94, 95, 96, 97) Show Date: 08.07.2021-11.07.2021

www.HorseShowPatterns.com

www.HorseShowPatterns.com



1. Walk
2. Trot
3. Extend the trot, at the top of the arena, stop
4. 360 degree turn to the left
5. Left lead 1/2 circle, lope to the center
6. Change leads (simple or flying)
7. Right lead 1/2 circle
8. Extended lope up the long side of arena (right lead)
9. Collect back to a lope around the top of the arena and back to center
10. Break down to an extended trot
11. Walk over poles.
12. Stop and back

Walk	-----
Jog	- - - - -
Extended Jog	-----
Lope	=====
Lead Change	//
Back	←←←←←
Marker	ⓑ

[RR/1]

Pattern Provided by:
Johanna Vorraber

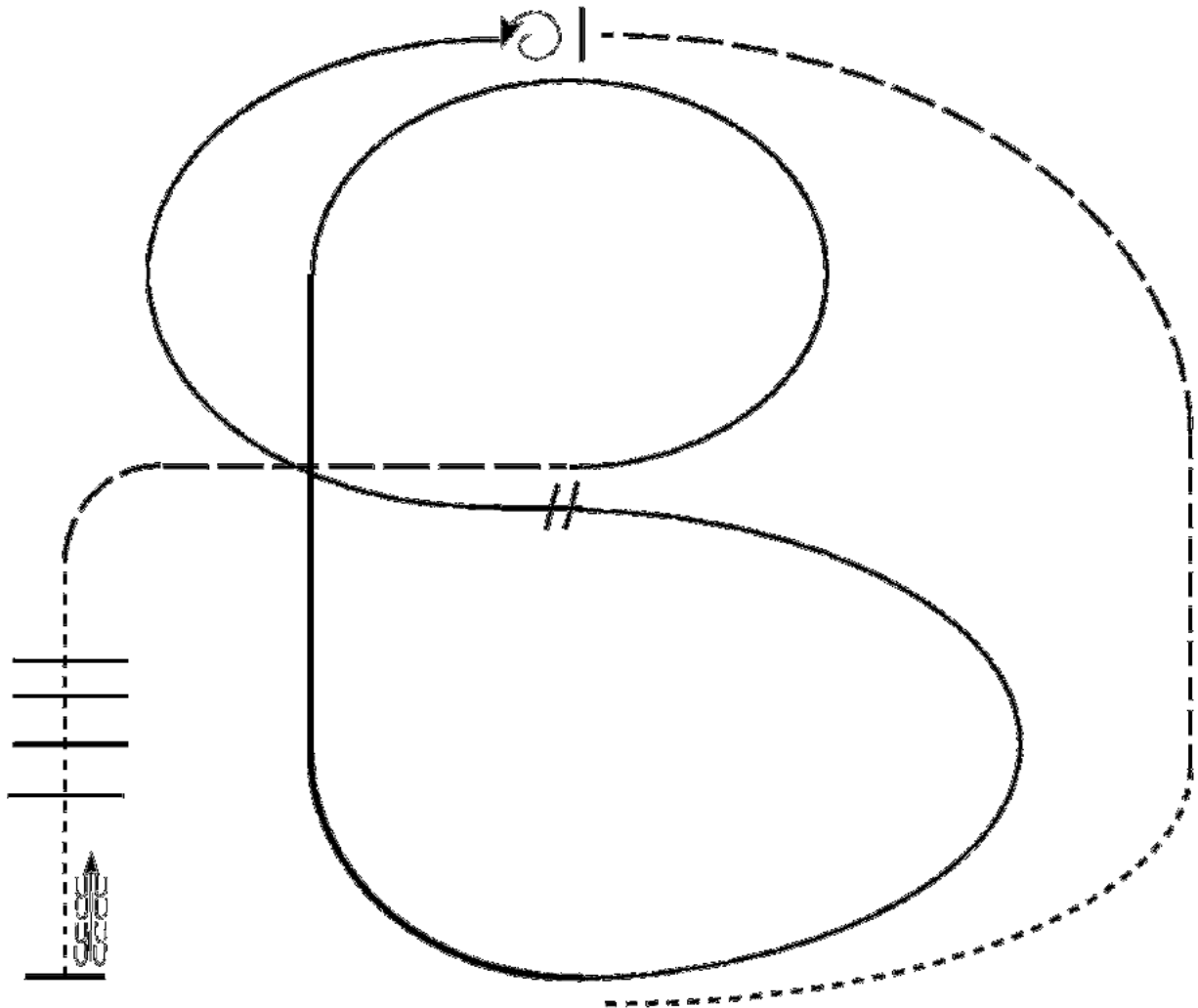
STYRIAN PAINT HORSE CLASSIC 2021

RaRiding Novice A APHA u. ZNS O u. Y (Class 123, 156, 157)

Show Date: 08.07.2021-11.07.2021

www.HorseShowPatterns.com

www.HorseShowPatterns.com



1. Walk
2. Trot
3. Extend the trot, at the top of the arena, stop
4. 360 degree turn to the left
5. Left lead 1/2 circle, lope to the center
6. Change leads (simple or flying)
7. Right lead 1/2 circle
8. Extended lope up the long side of arena (right lead)
9. Collect back to a lope around the top of the arena and back to center
10. Break down to an extended trot
11. Walk over poles.
12. Stop and back

- Walk -----
- Jog - - - - -
- Extended Jog - - - - -
- Lope _____
- Lead Change
- Back
- Marker

[RR/1]

Pattern Provided by:
Johanna Vorraber

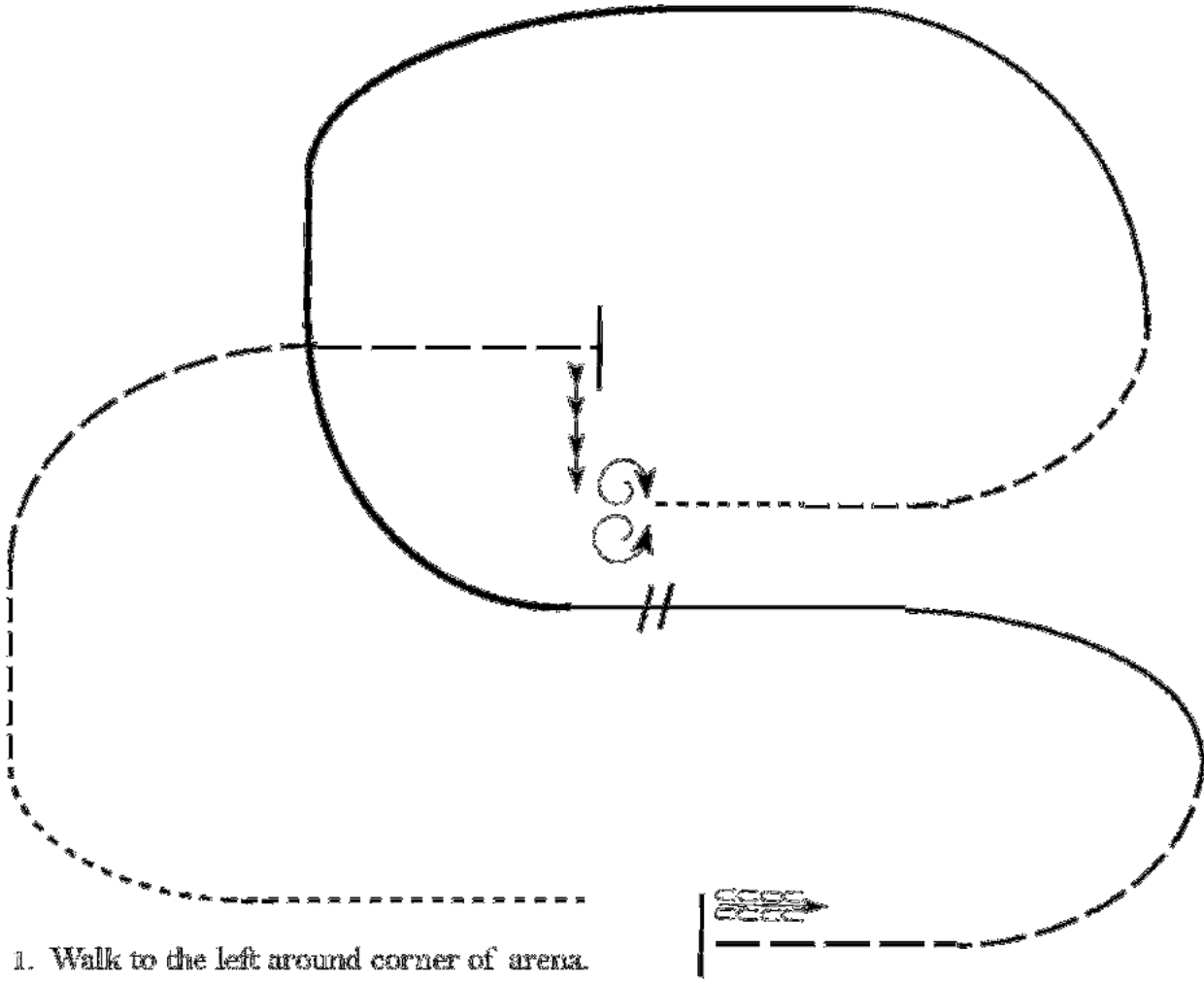
STYRIAN PAINT HORSE CLASSIC 2021

Ranch Riding RH Challenge ZNS O (Class 158)

Show Date: 08.07.2021-11.07.2021

www.HorseShowPatterns.com

www.HorseShowPatterns.com



1. Walk to the left around corner of arena.
2. Trot
3. Extend alongside of the arena and around the corner to center.
4. Stop, side pass right
5. 360 degree turn each direction (either way 1st)
6. Walk.
7. Trot.
8. Lope left lead
9. Extend the lope
10. Change leads (simple or flying)
11. Collect to the lope
12. Extend trot
13. Stop and back

Walk	-----
Jog	- - - - -
Extended Jog	- - - - -
Lope	—————
Lead Change	⧘
Back	←←←←←
Marker	ⓑ

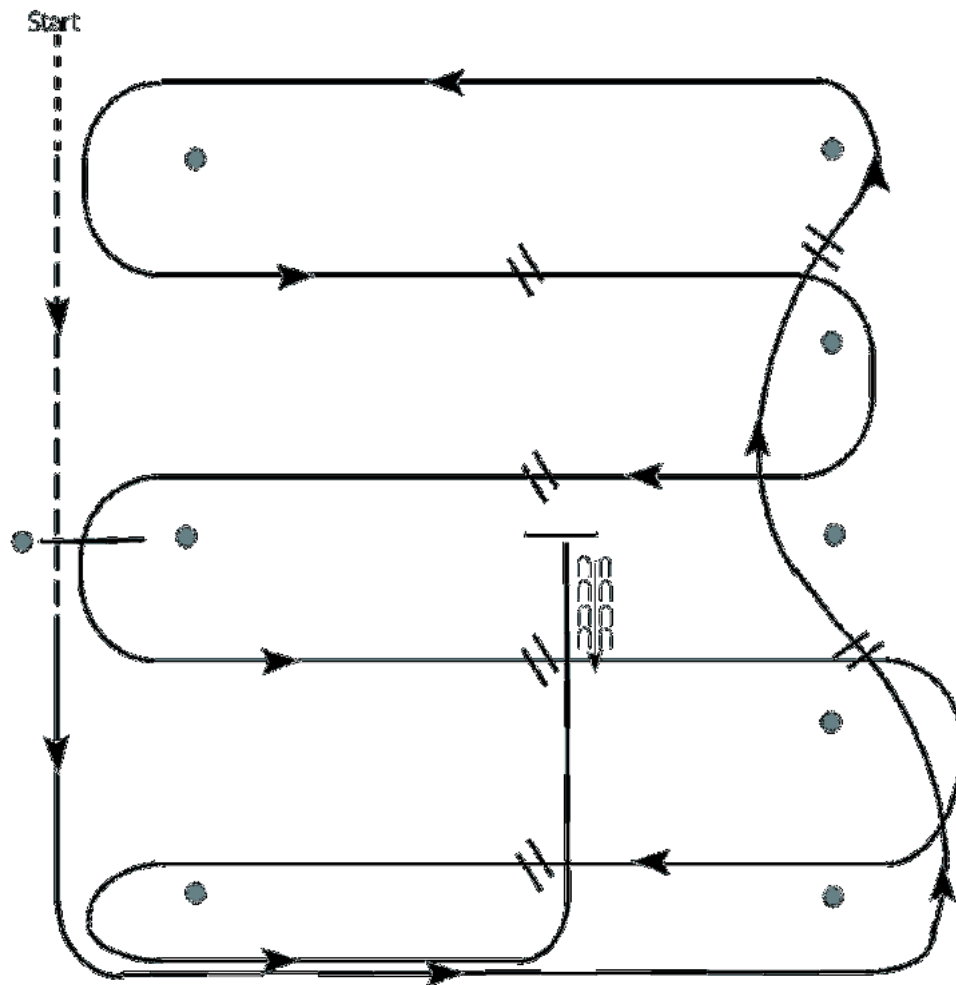
[RR/3]

Pattern Provided by:
Johanna Vorraber

STYRIAN PAINT HORSE CLASSIC 2021

Western Riding Green APHA (Class 128, 129)

Show Date: 08.07.2021-11.07.2021



1. Walk at least 15' & jog over log.
2. Transition to left lead and lope around end.
3. First line change.
4. Second line change. Lope around end of arena
5. First crossing change.
6. Second crossing change.
7. Lope over log.
8. Third crossing change.
9. Fourth crossing change.
10. Lope up the center, stop and back.

[WR/GP-1]

Pattern Provided by:
Johanna Vorraber

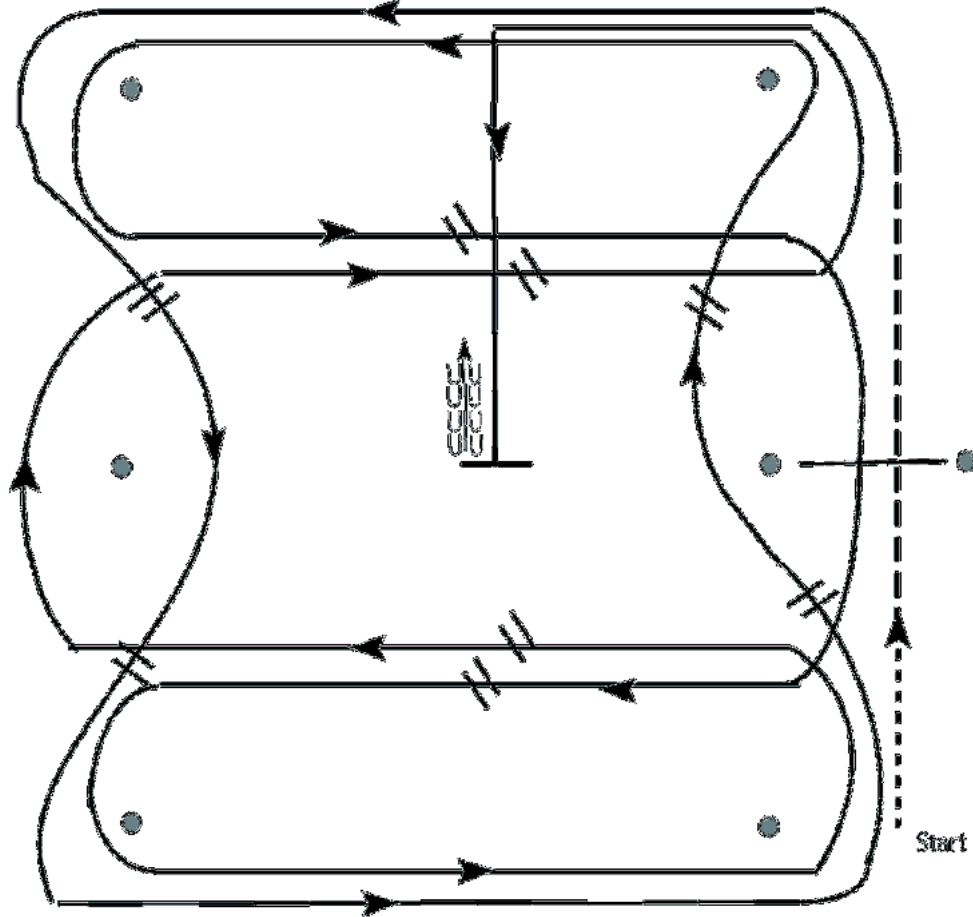
www.HorseShowPatterns.com

www.HorseShowPatterns.com

STYRIAN PAINT HORSE CLASSIC 2021

Western Riding Open APHA und ZNS (Class 130, 131, 132)

Show Date: 08.07.2021-11.07.2021



1. Walk, transition to jog, jog over log.
2. Transition to the lope, on the left lead.
3. First line change.
4. Second line change.
5. Third line change.
6. Fourth line change.
7. First crossing change.
8. Lope over the log.
9. Second crossing change.
10. Third crossing change.
11. Fourth crossing change.
12. Lope, stop and back.

[WR/OP-5]

Pattern Provided by:
Johanna Vorraber

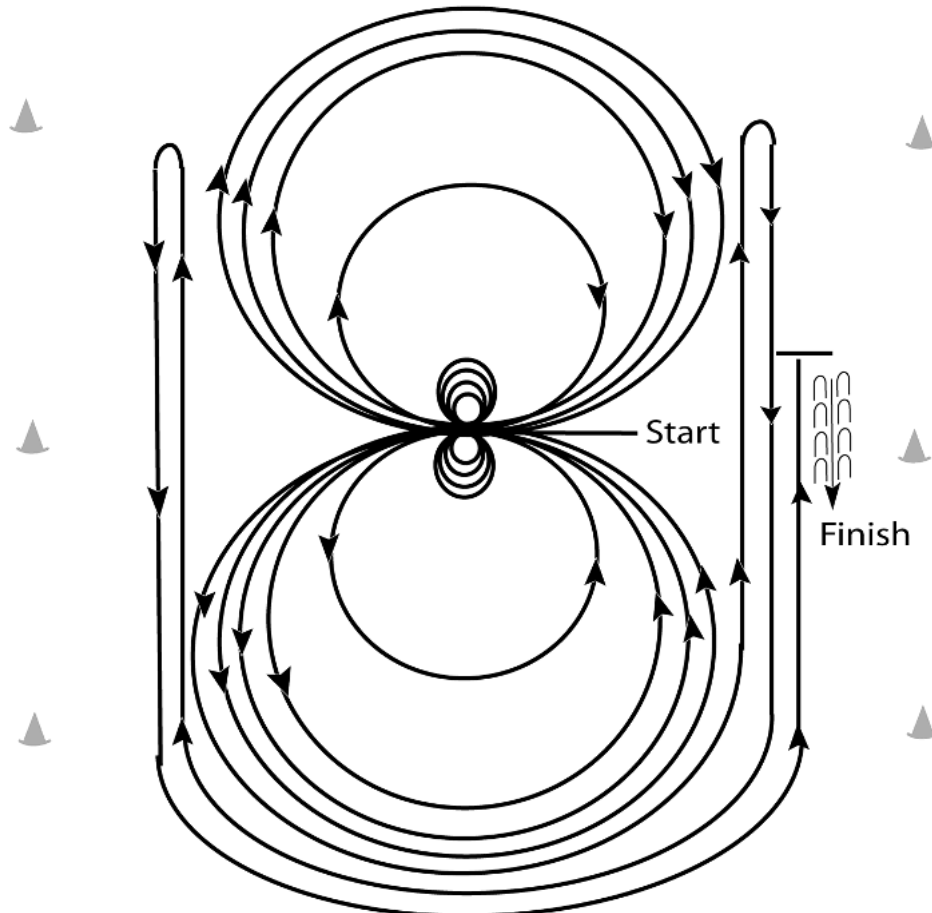
w w w . H o r s e S h o w P a t t e r n s . c o m

w w w . H o r s e S h o w P a t t e r n s . c o m

STYRIAN PAINT HORSE CLASSIC 2021

Reining APHA Amateur (Class 98, 99)

Show Date: 08.07.2021-11.07.2021



Horses may walk or trot to the center of the arena. Beginning at the center of the arena facing the left wall or fence.

1. Beginning on the left lead, complete three circles to the left: the first two circles large and fast; the third circle small and slow. Stop at the center of the arena.
 2. Complete four spins to the left. Hesitate.
 3. Beginning on the right lead, complete three circles to the right: the first two circles large and fast; the third circle small and slow. Stop at the center of the arena.
 4. Complete four spins to the right. Hesitate.
 5. Beginning on the left lead, run a large fast circle to the left, change leads at the center of the arena, run a large fast circle to the right, and change leads at the center of the arena.
 6. Continue around previous circle to the left but do not close this circle. Run up the right side of the arena past the center marker and do a right rollback at least twenty feet (6.09m) from the wall or fence – no hesitation.
 7. Continue around previous circle but do not close this circle. Run up the left side of the arena past the center marker and do a left rollback at least twenty feet (6.09m) from the wall or fence – no hesitation.
 8. Continue back around previous circle but do not close this circle. Run up the right side of the arena past the center marker and do a sliding stop at least twenty feet (6.09m) from the wall or fence. Back up at least ten feet (3m). Hesitate to demonstrate completion of the pattern.
- Rider may dismount and drop bridle to the designated judge.

[R/NRHAP-5]

Pattern Provided by:
Johanna Vorraber

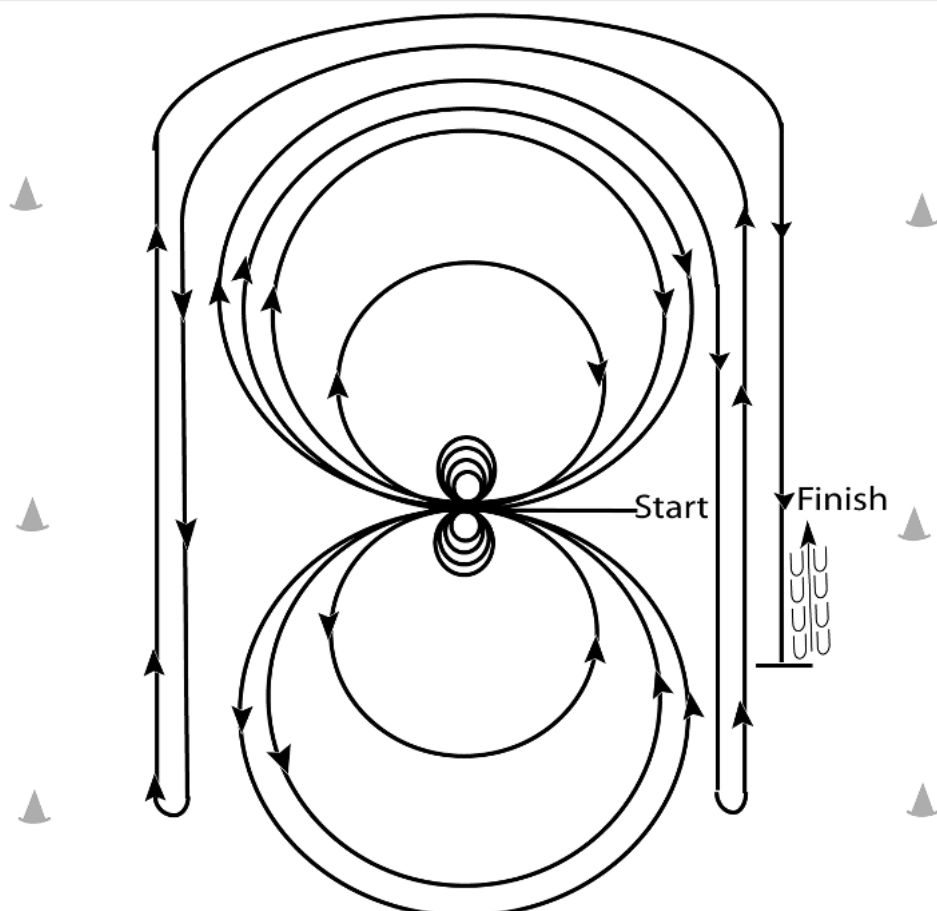
STYRIAN PAINT HORSE CLASSIC 2021

Reining Youth NA APPHA, ZNS Youth (Class 100, 101, 103, 107)

Show Date: 08.07.2021-11.07.2021

www.HorseShowPatterns.com

www.HorseShowPatterns.com



Horses may walk or trot to the center of the arena. Beginning at the center of the arena facing the left wall or fence.

1. Complete four spins to the left.
 2. Complete four spins to the right. Hesitate.
 3. Beginning on the right lead, complete three circles to the right: the first circle large and fast; the second circle small and slow; the third circle large and fast. Change leads at the center of the arena.
 4. Complete three circles to the left: the first circle large and fast; the second circle small and slow; the third circle large and fast. Change leads at the center of the arena.
 5. Begin a large fast circle to the right but do not close this circle. Run straight down the right side of the arena past the center marker and do a left rollback at least twenty feet (6.09m) from the wall or fence – no hesitation.
 6. Continue back around the previous circle but do not close this circle. Run down the left side of the arena past the center marker and do a right rollback at least twenty feet (6.09m) from the wall or fence – no hesitation.
 7. Continue back around the previous circle but do not close this circle. Run down the right side of the arena past the center marker and do a sliding stop at least twenty feet (6.09m) from the wall or fence. Back up at least ten feet (3m). Hesitate to demonstrate completion of the pattern.
- Rider may dismount and drop bridle to the designated judge.

[R/NRHAP-8]

Pattern Provided by:
Johanna Vorraber

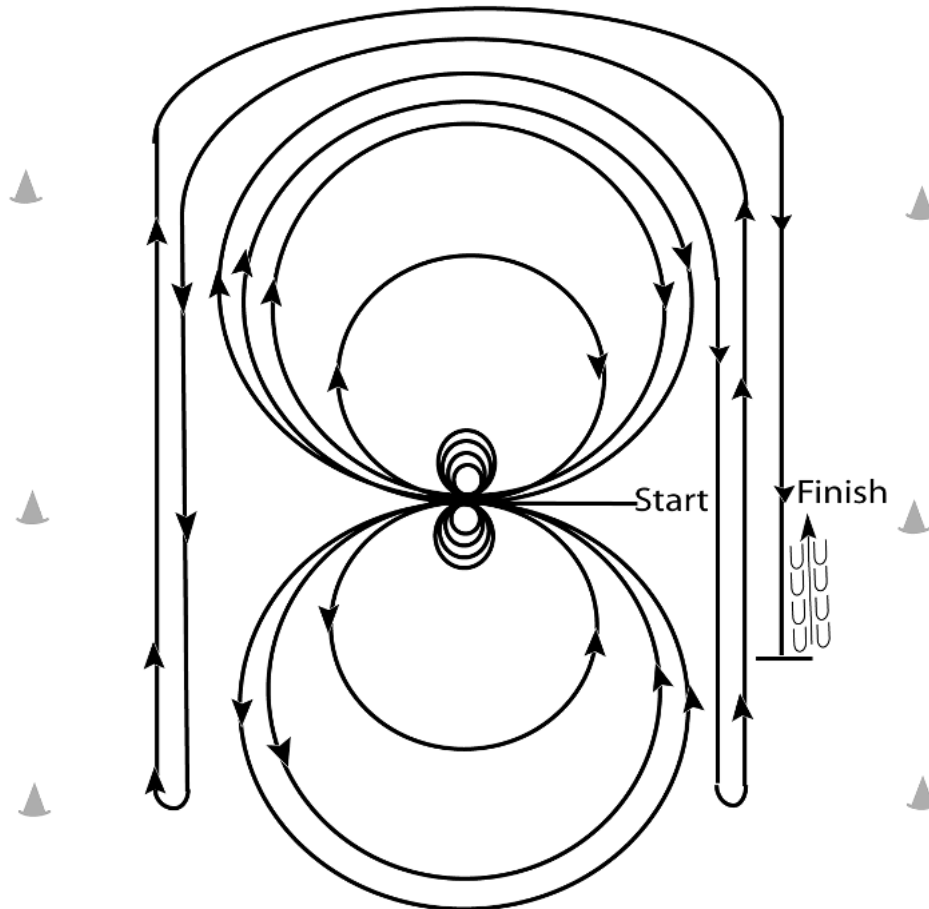
STYRIAN PAINT HORSE CLASSIC 2021

Reining ZNS Open und Youth, Youth LM (Class 136, 137, 154, 155,)

Show Date: 08.07.2021-11.07.2021

www.HorseShowPatterns.com

www.HorseShowPatterns.com



Horses may walk or trot to the center of the arena. Beginning at the center of the arena facing the left wall or fence.

1. Complete four spins to the left.
 2. Complete four spins to the right. Hesitate.
 3. Beginning on the right lead, complete three circles to the right: the first circle large and fast; the second circle small and slow; the third circle large and fast. Change leads at the center of the arena.
 4. Complete three circles to the left: the first circle large and fast; the second circle small and slow; the third circle large and fast. Change leads at the center of the arena.
 5. Begin a large fast circle to the right but do not close this circle. Run straight down the right side of the arena past the center marker and do a left rollback at least twenty feet (6.09m) from the wall or fence – no hesitation.
 6. Continue back around the previous circle but do not close this circle. Run down the left side of the arena past the center marker and do a right rollback at least twenty feet (6.09m) from the wall or fence – no hesitation.
 7. Continue back around the previous circle but do not close this circle. Run down the right side of the arena past the center marker and do a sliding stop at least twenty feet (6.09m) from the wall or fence. Back up at least ten feet (3m). Hesitate to demonstrate completion of the pattern.
- Rider may dismount and drop bridle to the designated judge.

[R/NRHAP-8]

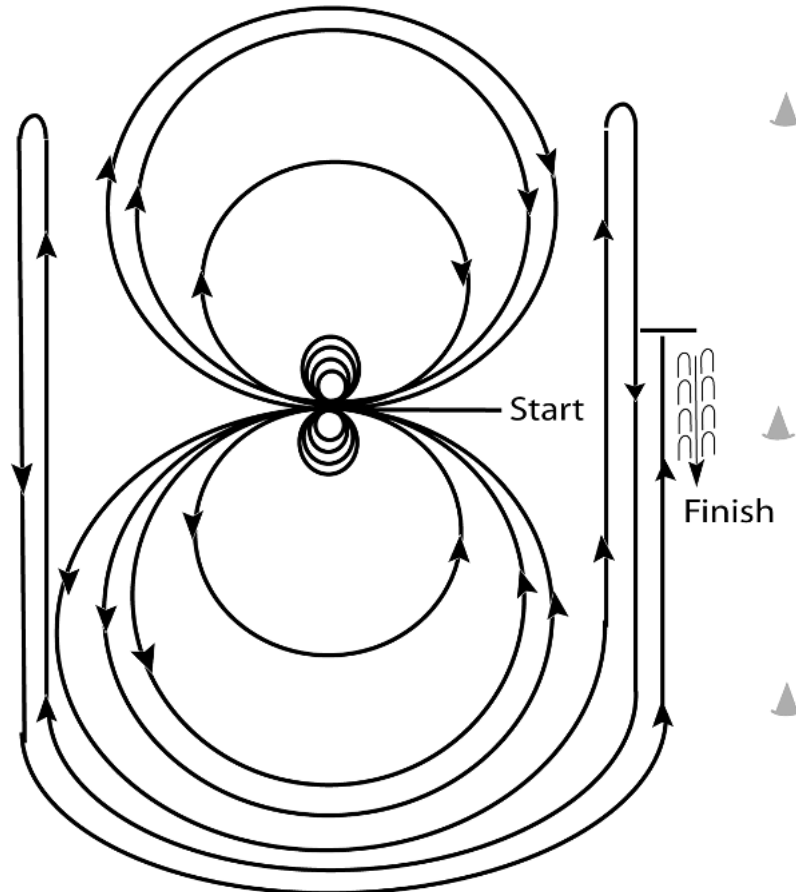
Pattern Provided by:

Johanna Vorraber

STYRIAN PAINT HORSE CLASSIC 2021

Reining APHA Open und ZNS Challenge (Class, 150, 151, 138)

Show Date: 08.07.2021-11.07.2021



Horses may walk or trot to the center of the arena. Beginning at the center of the arena facing the left wall or fence.

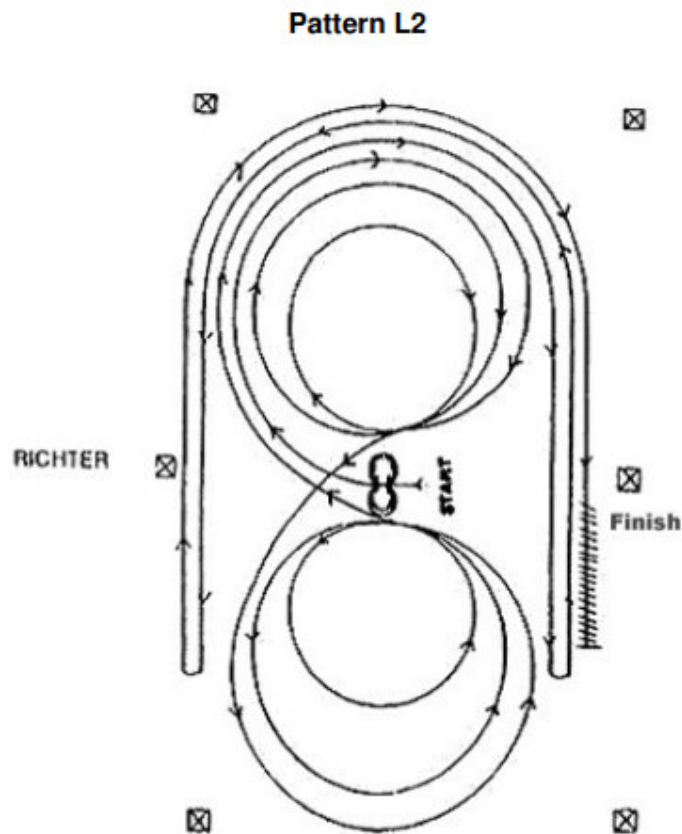
1. Complete four spins to the right.
 2. Complete four spins to the left. Hesitate.
 3. Beginning on the left lead, complete three circles to the left: the first two circles large and fast; the third circle small and slow. Change leads at the center of the arena.
 4. Complete three circles to the right: the first two circles large and fast; the third circle small and slow. Change leads at the center of the arena.
 5. Begin a large, fast circle to the left but do not close this circle. Run up the right side of the arena past the center marker and do a right rollback at least twenty feet (6.09m) from the wall or fence – no hesitation.
 6. Continue back around previous circle but do not close this circle. Run up the left side of the arena past the center marker and do a left rollback at least twenty feet (6.09m) from the wall or fence – no hesitation.
 7. Continue back around previous circle but do not close this circle. Run up the right side of the arena past the center marker and do a sliding stop at least twenty feet (6.09m) from the wall or fence. Back up at least ten feet (3m). Hesitate to demonstrate the completion of the pattern.
- Rider may dismount and drop bridle to the designated judge.

[R/NRHAP-6]

Pattern Provided by:
Johanna Vorraber

STYRIAN PAINT HORSE CLASSIC 2021

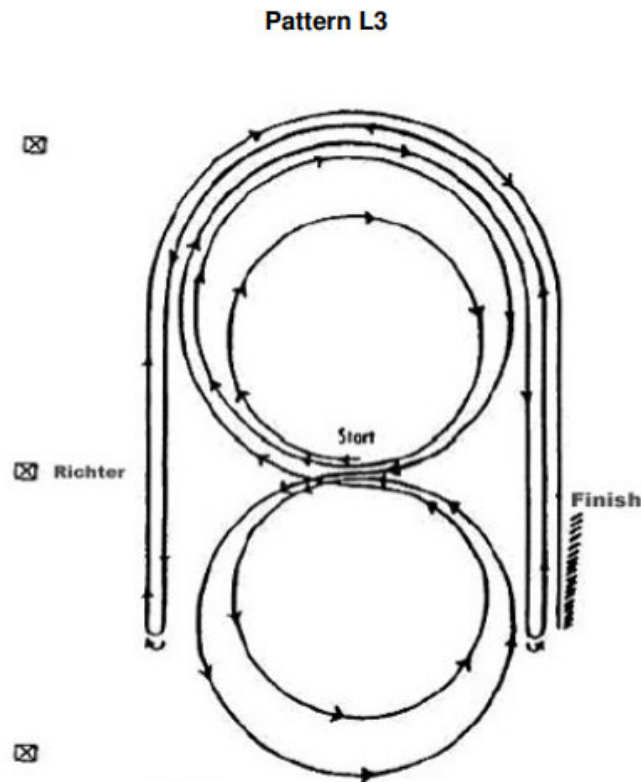
Reining L 2 ZNS A + Y, Class 104, 135



1. Im Schritt zum Center mit Blick zur linken Bande, 2 Spins links ; 2. 2 Spins rechts, verharren
3. 3 komplette Zirkel auf der rechten Hand, der erste Zirkel groß und schnell, der zweite klein und langsam, der dritte groß und schnell. Einfacher oder fliegender Galoppwechsel im Center
4. 3 komplette Zirkel auf der linken Hand, der erste Zirkel groß und schnell, der zweite klein und langsam, der dritte groß und schnell. Einfacher oder fliegender Galoppwechsel im Center
5. 1 großer, schneller Zirkel nach rechts, der nicht geschlossen wird, sondern in gerader Linie an der Mittelmarkierung vorbei führt. Stopp nach dem Mittelmarker, Rollback links etwa 6m von der Bande entfernt
6. Zurück in einem großen schnellen Zirkel nach links, der nicht geschlossen wird, sondern in gerader Linie an der Mittelmarkierung vorbeiführt. Stopp nach dem Mittelmarker, Rollback rechts etwa 6m von der Bande entfernt
7. Zurück in einem großen, schnellen Zirkel nach rechts, der nicht geschlossen wird, sondern in gerader Linie an der Mittelmarkierung vorbeiführt. Stopp nach dem Mittelmarker etwa 6m von der Bande entfernt, Rückwärtsrichten mindestens 3m, verharren Zum Richter, absteigen und Zaumzeug abnehmen

STYRIAN PAINT HORSE CLASSIC 2021

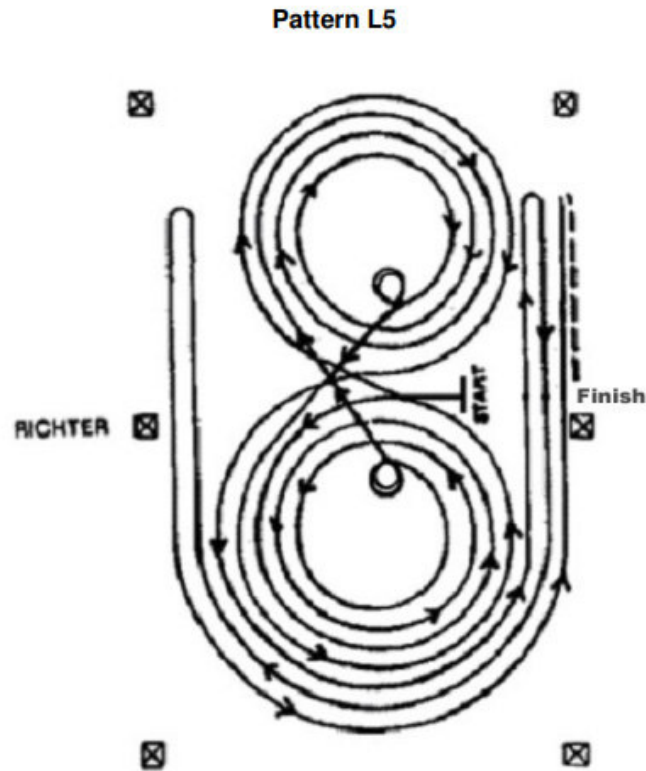
Reining L 3 ZNS Rookie, Class 102



1. Start im Center mit Blick zur linken Bande. 2 Zirkel rechts, der erste klein und langsam, der zweite groß und schnell, einfacher oder fliegender Galoppwechsel
2. 2 Zirkel links, der erste groß und schnell, der zweite klein und langsam, einfacher oder fliegender Galoppwechsel
3. 1 großer, schneller Zirkel, nicht schließen, Run über den Mittelmarker hinaus, mindestens 6 Meter von der Bande entfernt, Stopp, Rollback links
4. Bahn umrunden, Run über den Mittelmarker hinaus, mindestens 6 Meter von der Bande entfernt, Stopp, Rollback rechts
5. Bahn umrunden, Run über Mittelmarker hinaus, mindestens 6 Meter von der Bande entfernt, Stopp, Rückwärtsrichten bis zur Mitte oder mindestens 3 m, verharren Zum Richter, absteigen und Zaumzeug abnehmen

STYRIAN PAINT HORSE CLASSIC 2021

Reining L 5 ZNS O, Class 105



1. Start im Center mit Blick zur linken Bande. Start im Linksgalopp, 3 Zirkel links: die ersten zwei Zirkel groß und schnell; den dritten Zirkel klein und langsam. Stopp in der Mitte der Arena.
2. 2 Spins links. Verharren.
3. Start im Rechtsgalopp, 3 Zirkel rechts: die ersten zwei Zirkel groß und schnell; den dritten Zirkel klein und langsam. Stopp in der Mitte der Arena.
4. 2 Spins rechts. Verharren.
5. Im Linksgalopp beginnend eine große, schnelle Figur 8 reiten (einfacher oder fliegender Galoppwechsel).
6. Figur 8 beenden und einen großen schnellen Linkszirkel beginnen, nicht schließen und an der nächsten langen Seite einen Run; nach dem Mittelmarker Stopp, dann Rollback rechts mindestens 6 Meter von der Bande entfernt; kein Verharren.
7. Die Bahn umrunden und an der nächsten langen Seite nach dem Mittelmarker mindestens 6 Meter von der Bande entfernt. Stopp, dann Rollback nach links; kein Verharren.
8. Die Bahn umrunden und an der nächsten langen Seite nach dem Mittelmarker und mindestens 6 Meter von der Bande entfernt Stopp. Mindestens 3 Meter Rückwärtsrichten. Verharren, um das Ende der Aufgabe anzuzeigen. Zum Richter und Zaumzeug abnehmen