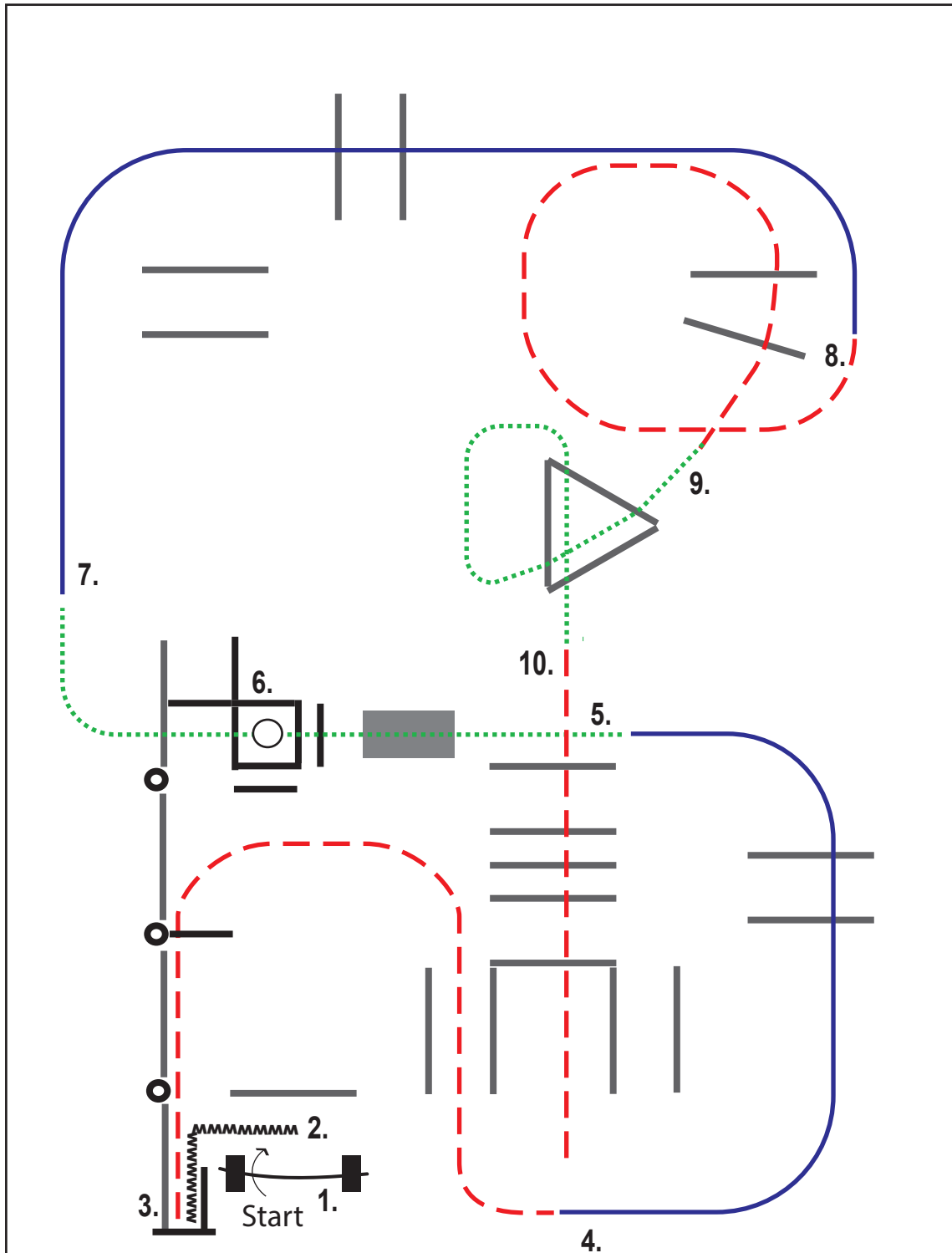


CWN-C /WTC Cup/AWA Championship Wr. Neustadt/NÖ 05.08 - 08.08.2021
 Bewerb 01 7380 R Trail Vorlauf Cup



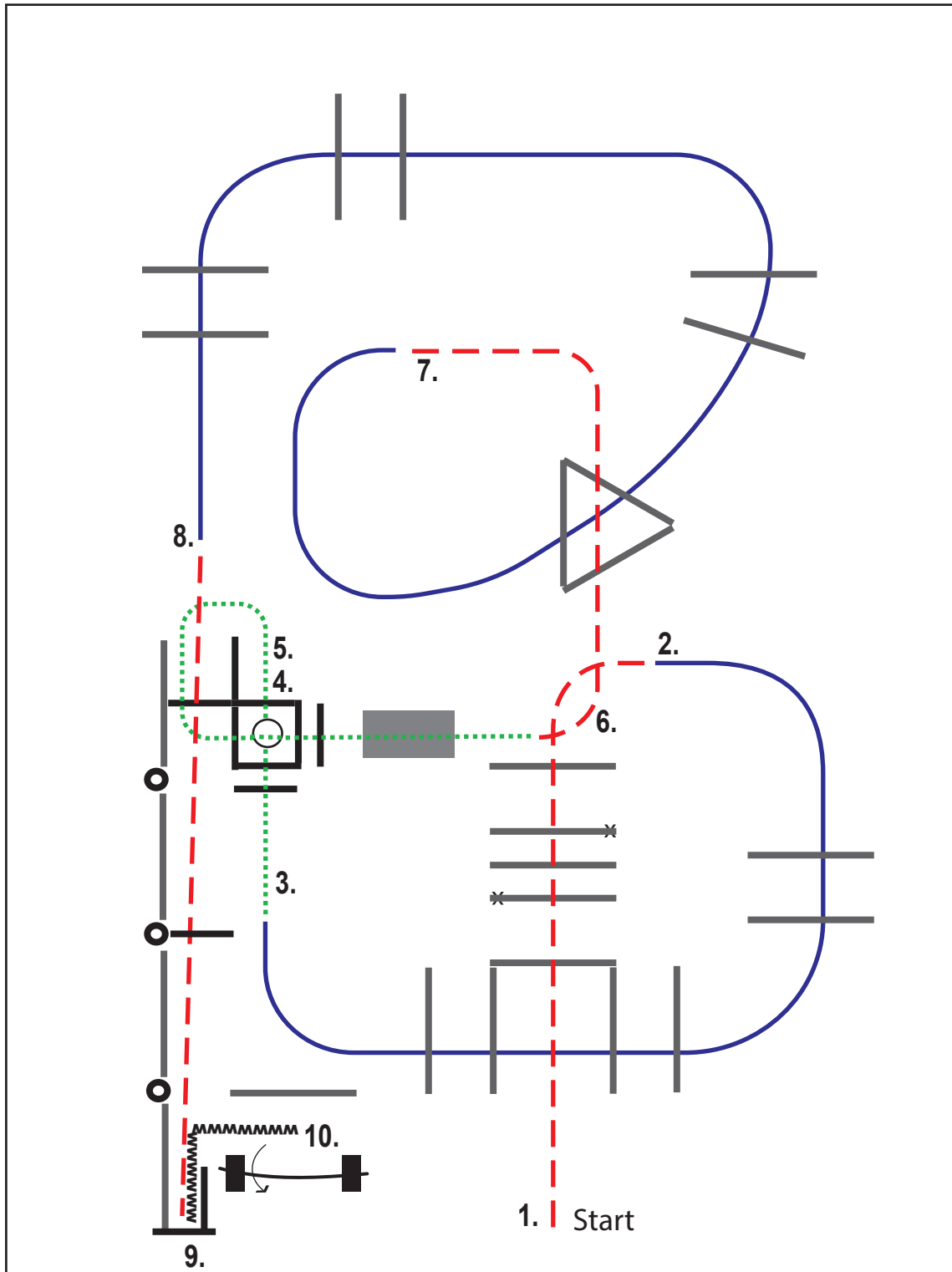
- | | |
|---------------------------------------|------------------------------------------|
| 1. gate right hand | 6. turn 360° either way, walk over poles |
| 2. back up into chute | 7. lope over poles right lead |
| 3. trot over and through poles | 8. trot over poles |
| 4. lope over poles left lead | 9. walk over poles |
| 5. walk over bridge and pole into box | 10. trot over poles |

- | | |
|----------------|--------------|
| Schrittl | ↔ Seitwärts |
| - - - Trab | ○ Pylonen |
| — Galopp | X Erhöhungen |
| MMM Rückwärts | 🐎 Tor |



designed by Nina Zwölfer

CWN-C /WTC Cup/AWA Championship Wr. Neustadt/NÖ 05.08 - 08.08.2021
 Bewerb 02 1380 O Trail Vorlauf PrimeTime



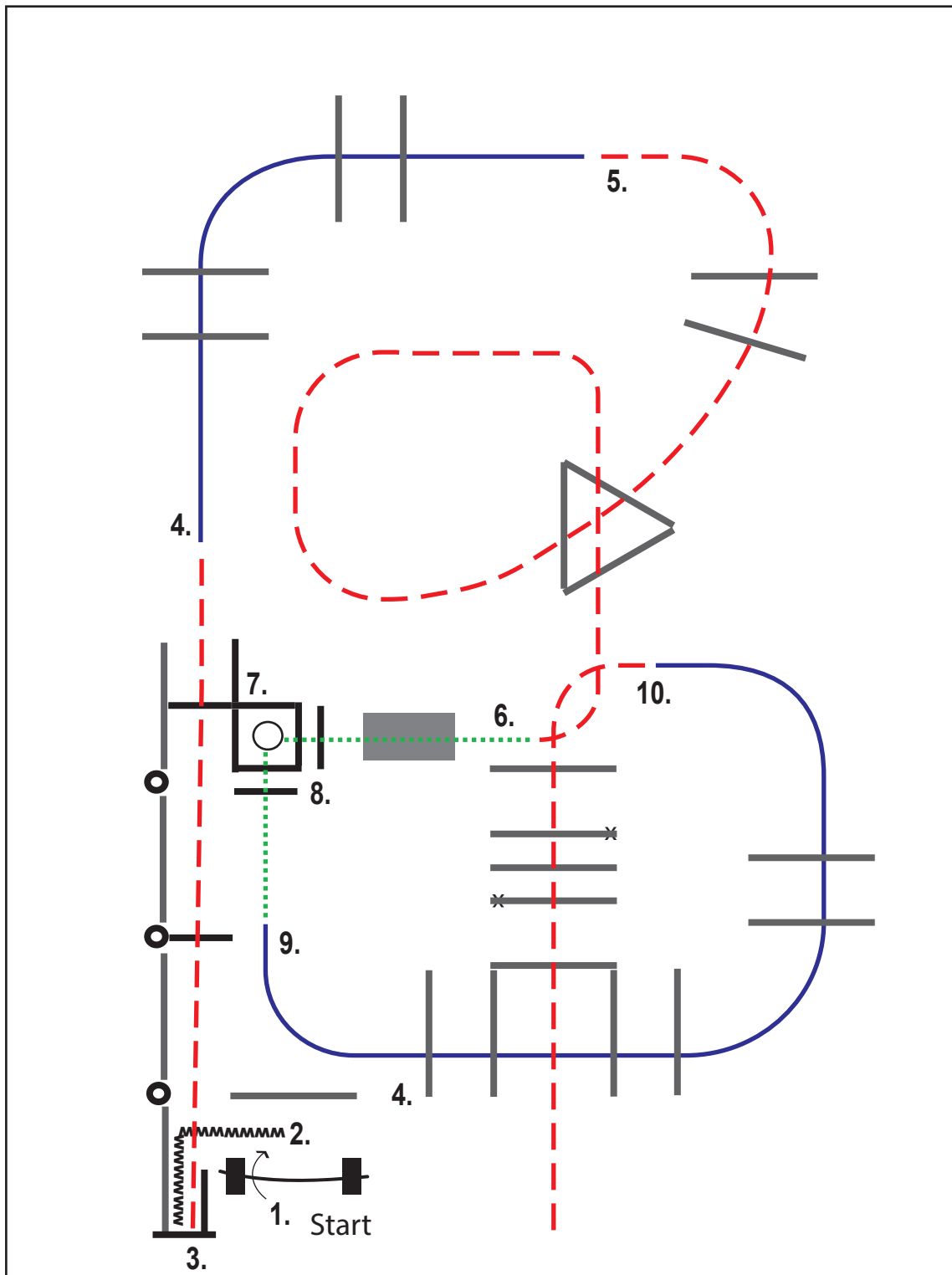
- | | |
|------------------------------------|------------------------------|
| 1. trot over poles | 6. trot over poles |
| 2. lope over poles right lead | 7. lope over poles left lead |
| 3. walk over poles into box | 8. trot over pole into chute |
| 4. turn 360° either way | 9. backup |
| 5. walk over poles, box and bridge | 10. gate left hand |

- | | |
|----------------|--------------|
| Schritt | ↔ Seitwärts |
| - - - - - Trab | ○ Pylonen |
| ———— Galopp | × Erhöhungen |
| MMM Rückwärts | ⊥ Tor |



designed by Nina Zwölfer

CWN-C /WTC Cup/AWA Championship Wr. Neustadt/NÖ 05.08 - 08.08.2021
 Bewerb 03 2380 A Trail Vorlauf



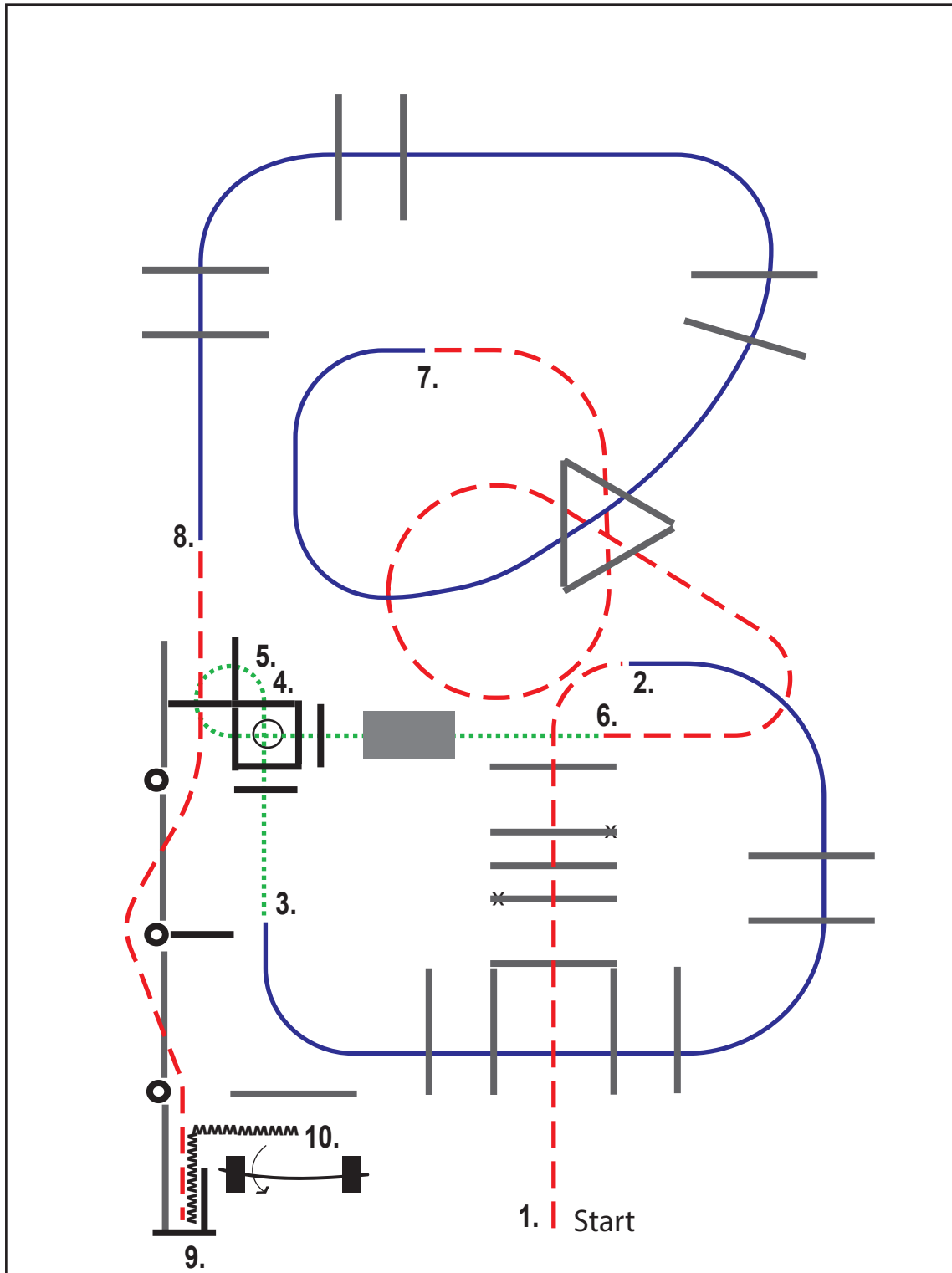
- | | |
|-------------------------------|---------------------------------------|
| 1. gate right hand | 6. walk over bridge and pole into box |
| 2. backup into chute | 7. turn 45° left |
| 3. trot over poles | 8. walk over poles |
| 4. lope over poles right lead | 9. lope over poles left lead |
| 5. trot over poles | 10. trot over poles |

- | | |
|---------------|--------------|
| Schritt | ↔ Seitwärts |
| - - - - Trab | ○ Pylonen |
| ———— Galopp | X Erhöhungen |
| MMM Rückwärts | ┆ Tor |



designed by Nina Zwölfer

CWN-C /WTC Cup/AWA Championship Wr. Neustadt/NÖ 05.08 - 08.08.2021
 Bewerb 04 1380 O Trail Vorlauf



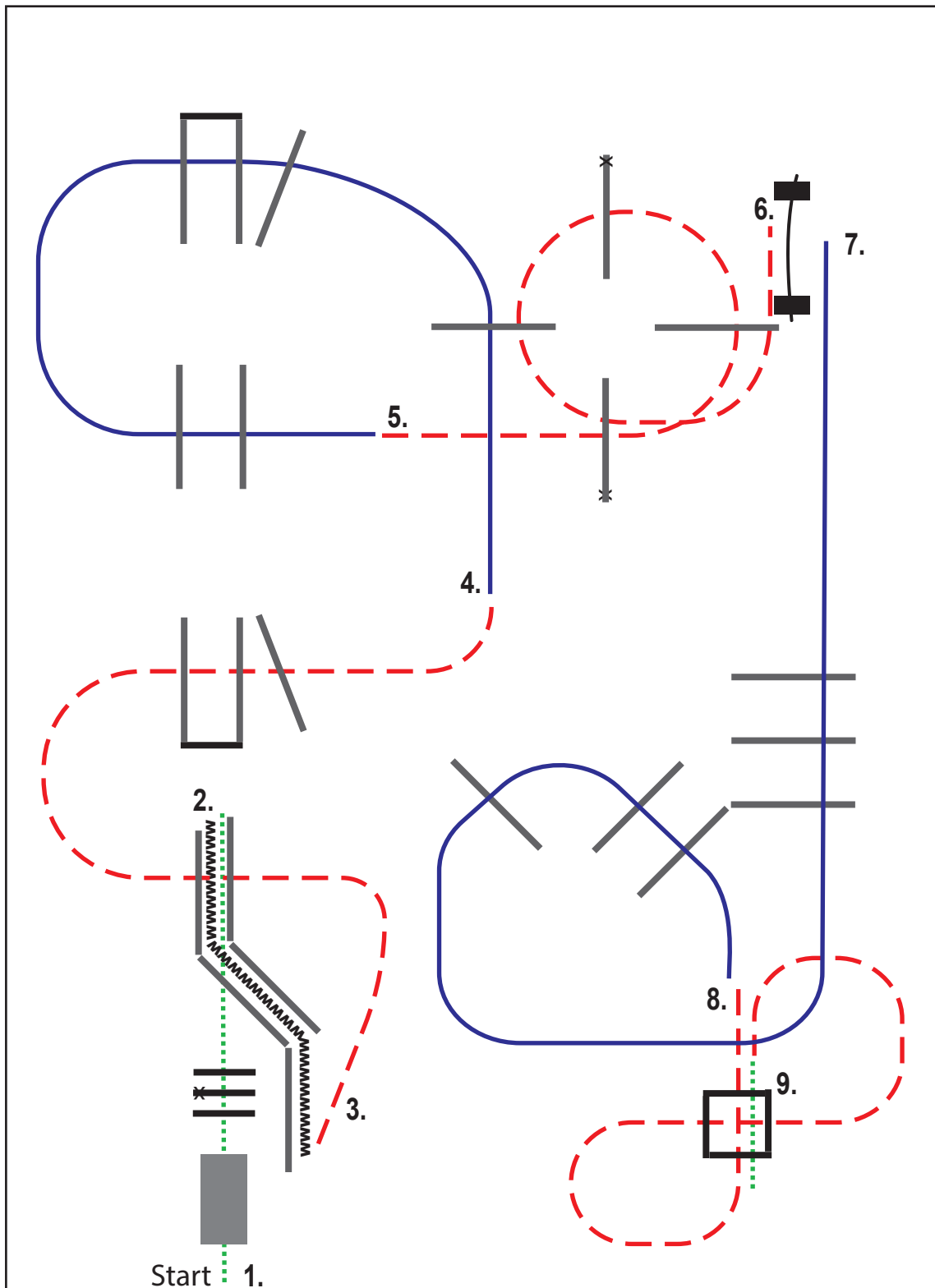
- | | |
|------------------------------------|-------------------------------|
| 1. trot over poles | 6. trot over poles |
| 2. lope over poles right lead | 7. lope over poles left lead |
| 3. walk over poles into box | 8. trot over poles into chute |
| 4. turn 360° left | 9. backup to gate |
| 5. walk over poles, box and bridge | 10. gate left hand |

- | | |
|----------------|--------------|
| Schritt | ↔ Seitwärts |
| - - - - - Trab | ○ Pylonen |
| ———— Galopp | X Erhöhungen |
| MMM Rückwärts | H Tor |



designed by Nina Zwölfer

CWN-C /WTC Cup/AWA Championship Wr. Neustadt/NÖ 05.08 - 08.08.2021
 Bewerb 22 2380 A Trail Finale



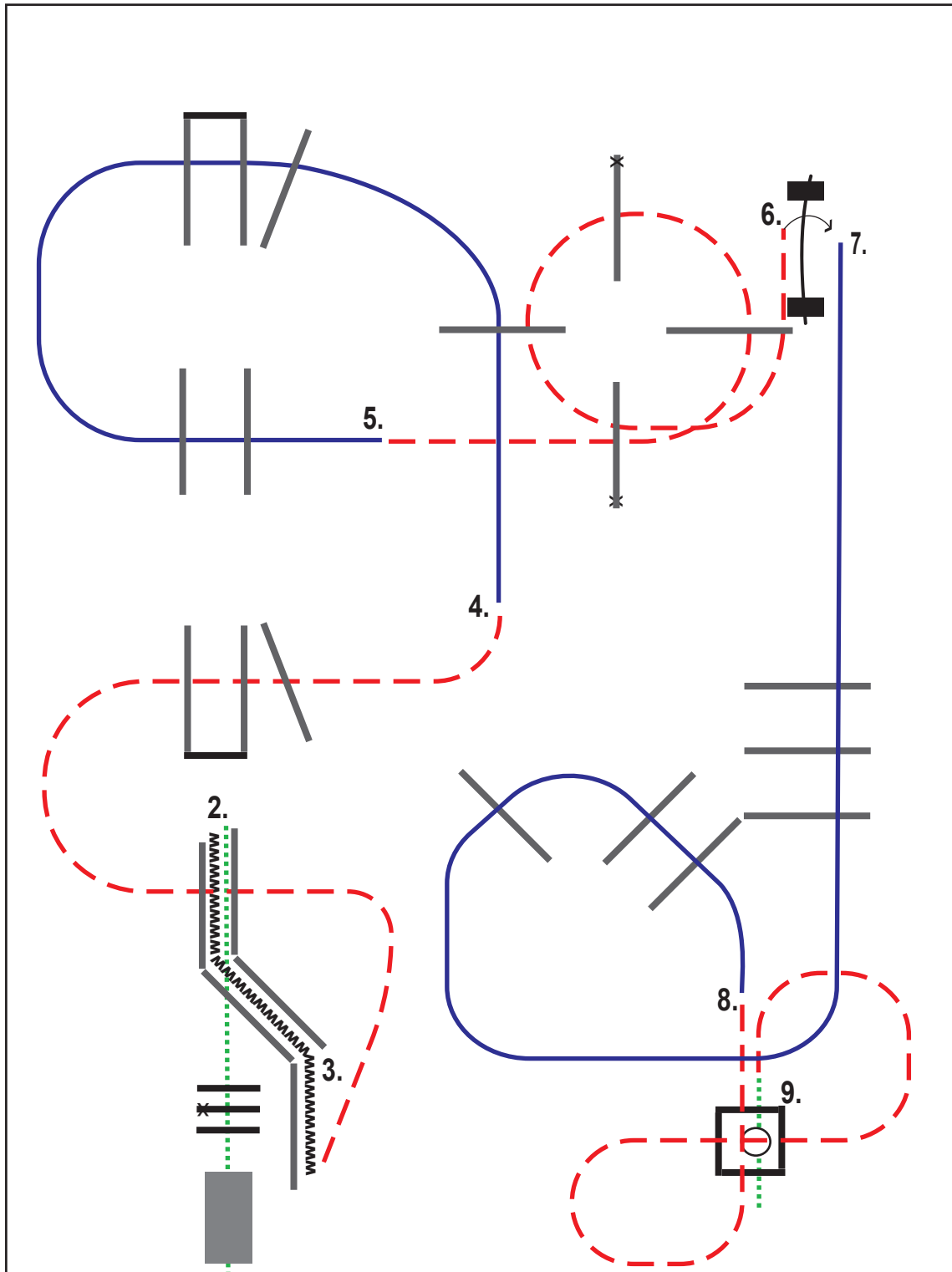
- 1. walk over bridge and poles into chute
- 2. backup
- 3. trot over poles
- 4. lope over poles left lead
- 5. trot over poles to gate
- 6. gate right hand
- 7. lope over poles right lead
- 8. trot over box
- 9. walk into box, turn 360° either way

 Schritt	 Seitwärts
 Trab	 Pylonen
 Galopp	 Erhöhungen
 Rückwärts	 Tor



designed by Nina Zwölfer

CWN-C /WTC Cup/AWA Championship Wr. Neustadt/NÖ 05.08 - 08.08.2021
 Bewerb 23 1380 O Trail Finale PrimeTime



Start 1.

- 1. walk over bridge and poles into chute
- 2. backup
- 3. trot over poles
- 4. lope over poles left lead

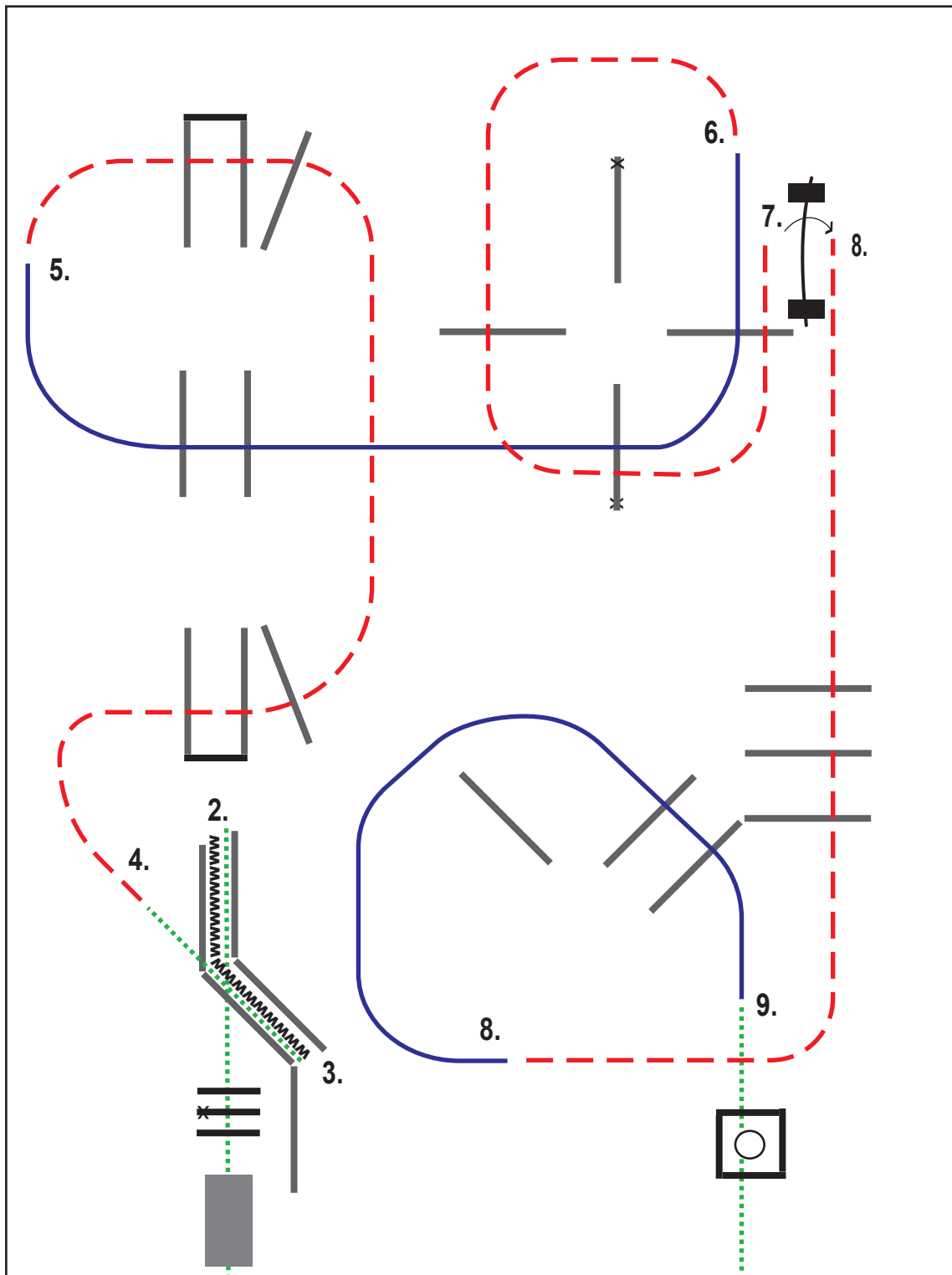
- 5. trot over poles to gate
- 6. gate right hand
- 7. lope over poles right lead
- 8. trot over box
- 9. walk into box, turn 360° either way

- Schritt
- - - - Trab
- Galopp
- MMM** Rückwärts
- $\frac{nn}{nn} \rightarrow$ Seitwärts
- O** Pylonen
- X** Erhöhungen
- H** Tor



designed by Nina Zwölfer

CWN-C /WTC Cup/AWA Championship Wr. Neustadt/NÖ 05.08 - 08.08.2021
 Bewerb 24 3380 NA Trail Vorlauf



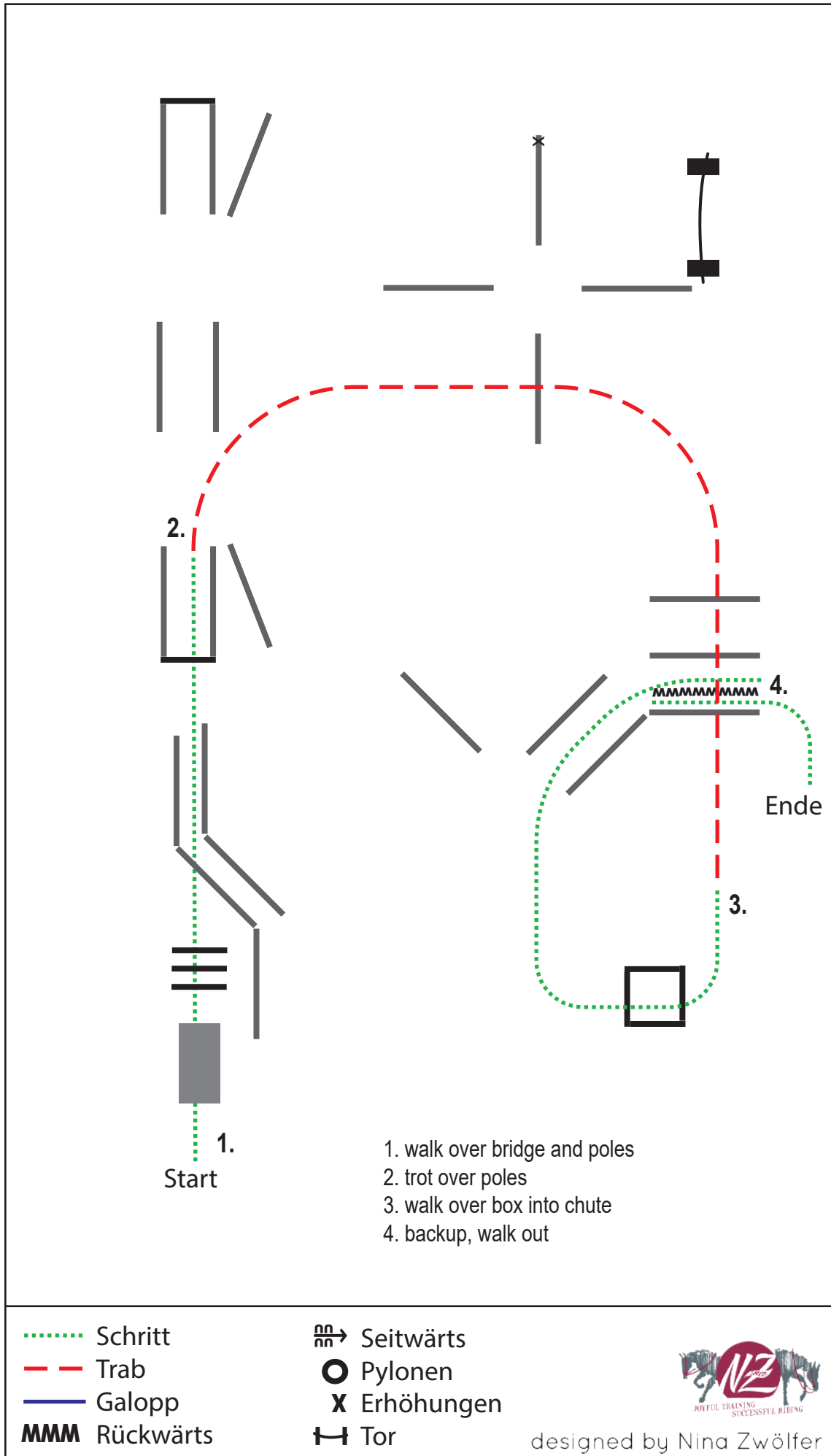
- Start 1.
- | | |
|------------------------------------------|-----------------------------------------|
| 1. walk over bridge and poles into chute | 6 trot over poles |
| 2. backup | 7. gate right hand |
| 3. walk over pole | 8. trot over poles |
| 4. trot over poles | 9. lope over pole right lead |
| 5. lope over poles left lead | 10. walk into box, turn 360° either way |

- | | |
|----------------|--------------|
| Schritt | ↔ Seitwärts |
| - - - - - Trab | ○ Pylonen |
| ———— Galopp | X Erhöhungen |
| MMM Rückwärts | ⌋ Tor |

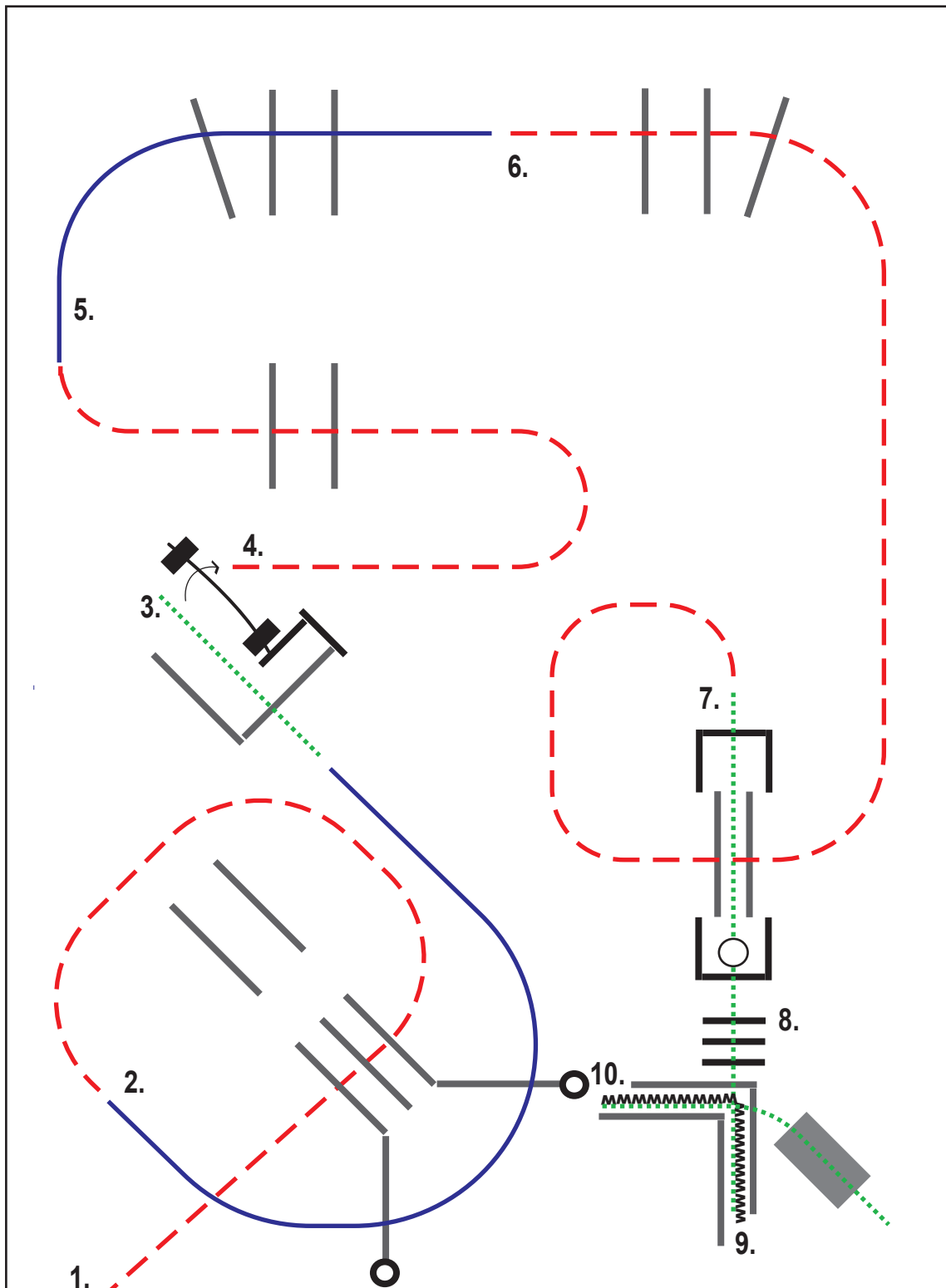


designed by Nina Zwölfer

CWN-C /WTC Cup/AWA Championship Wr. Neustadt/NÖ 05.08 - 08.08.2021
 Bewerb 25 Kids Führzügelkl & 26 YoungsterTrail



CWN-C ZNS/ARHA WTC Wr. Neustadt/NÖ - 01.01. - 02.01.2021
 Bewerb 48 8380 Y Trail



Start

- 1. trot over poles
- 2. lope over poles left lead
- 3. walk over pole, gate right hand
- 4. trot over poles
- 5. lope over poles right lead

- 6. trot over poles
- 7. walk into box, turn 360° either way
- 8. walk over poles into chute
- 9. back up
- 10. walk out and over bridge

..... Schritt

- - - - - Trab

———— Galopp

MMM Rückwärts

↗ Seitwärts

○ Pylonen

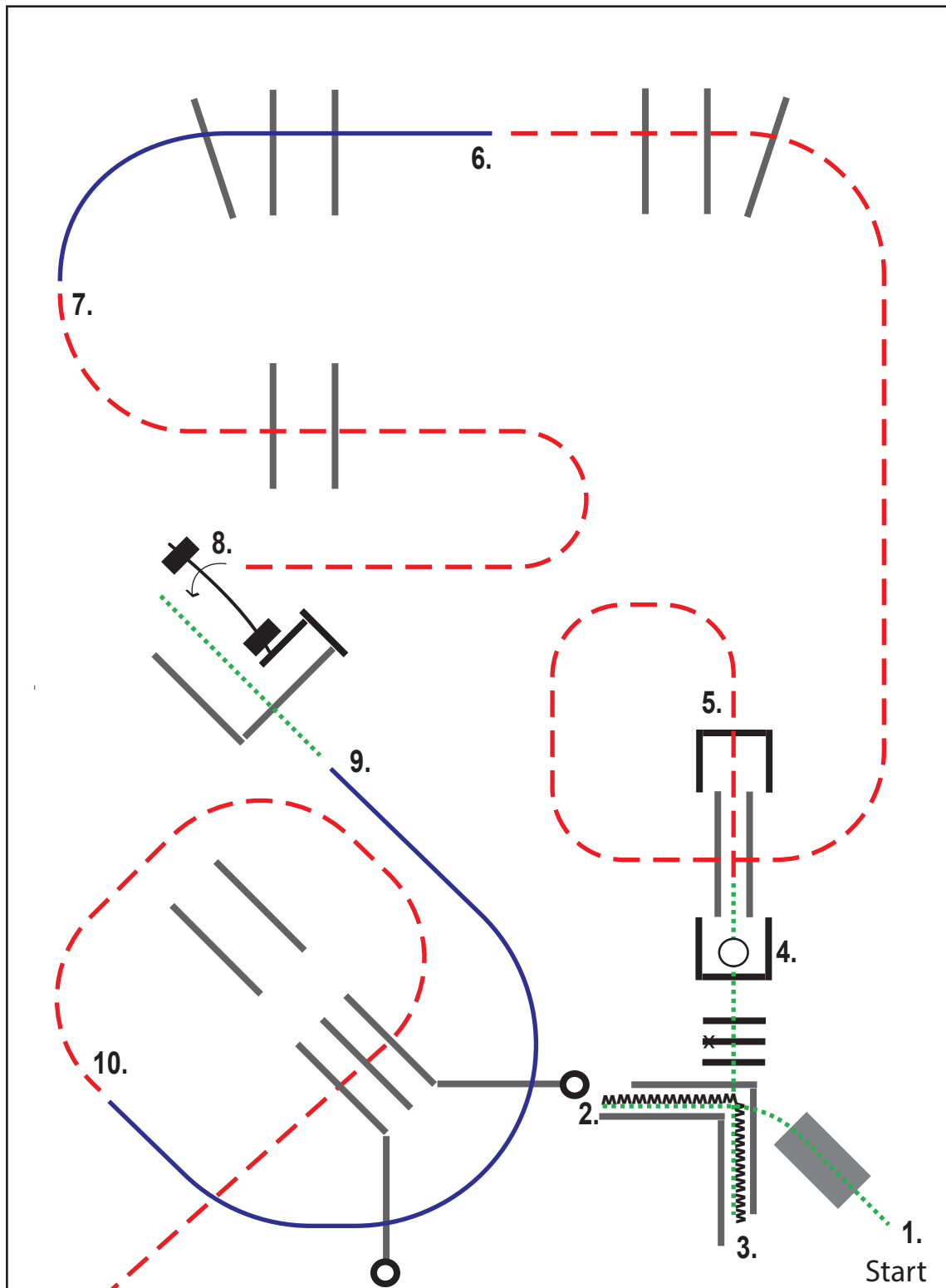
X Erhöhungen

⊢ Tor



designed by Nina Zwölfer

CWN-C ZNS/ARHA WTC Wr. Neustadt/NÖ - 01.01. - 02.01.2021
 Bewerb 49 3380 NA Trail Finale



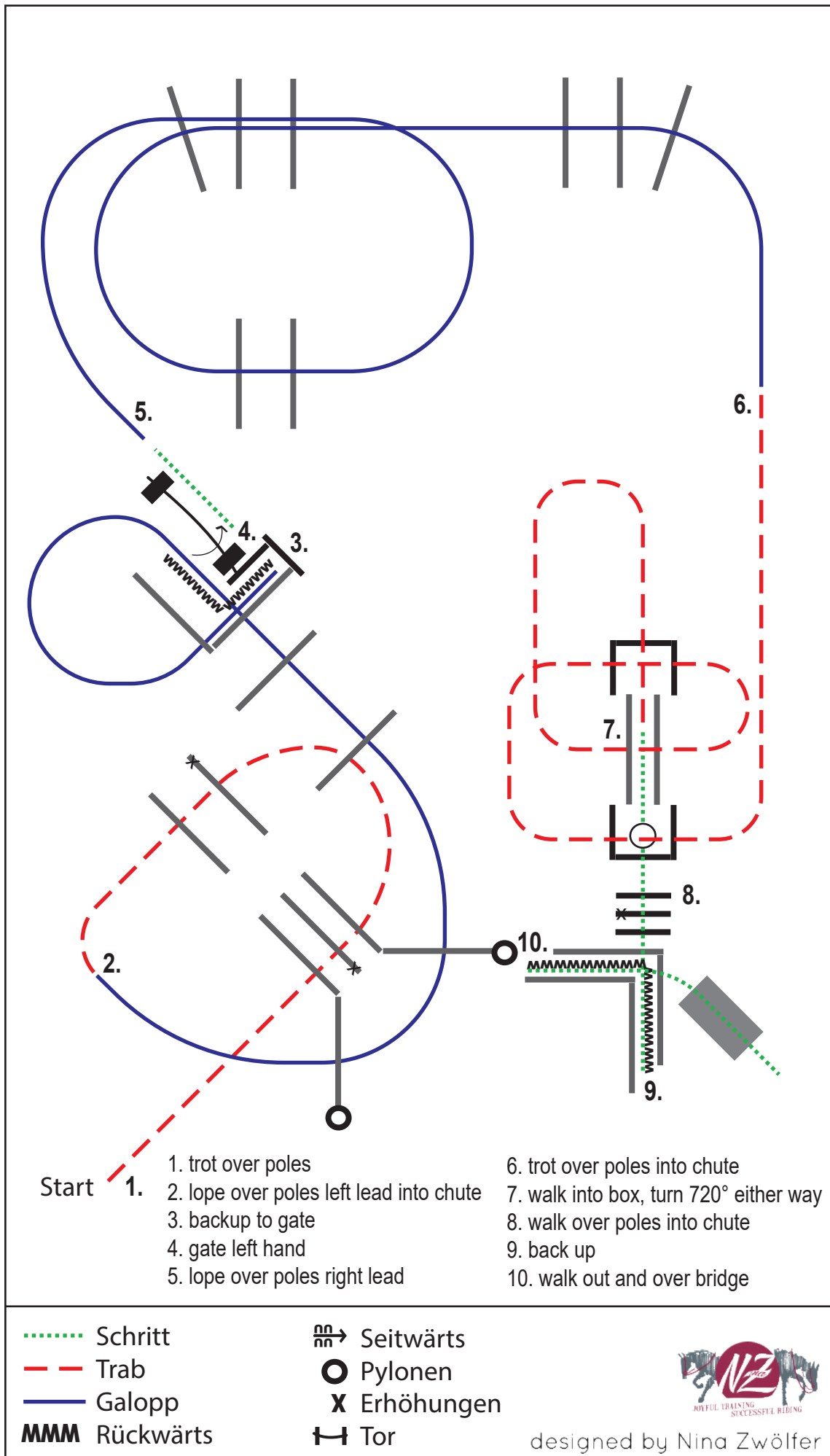
- | | |
|--------------------------------|-------------------------------|
| 1. walk over bridge into chute | 6. lope over poles left lead |
| 2. backup | 7. trot over poles |
| 3. walk over poles into box | 8. gate left hand |
| 4. turn 360° either way | 9. lope over poles right lead |
| 5. trot over poles | 10. trot over poles |

- | | |
|---------------|----------------|
| Schritt | nn → Seitwärts |
| - - - Trab | ○ Pylonen |
| — Galopp | X Erhöhungen |
| MMM Rückwärts | ⌋ Tor |



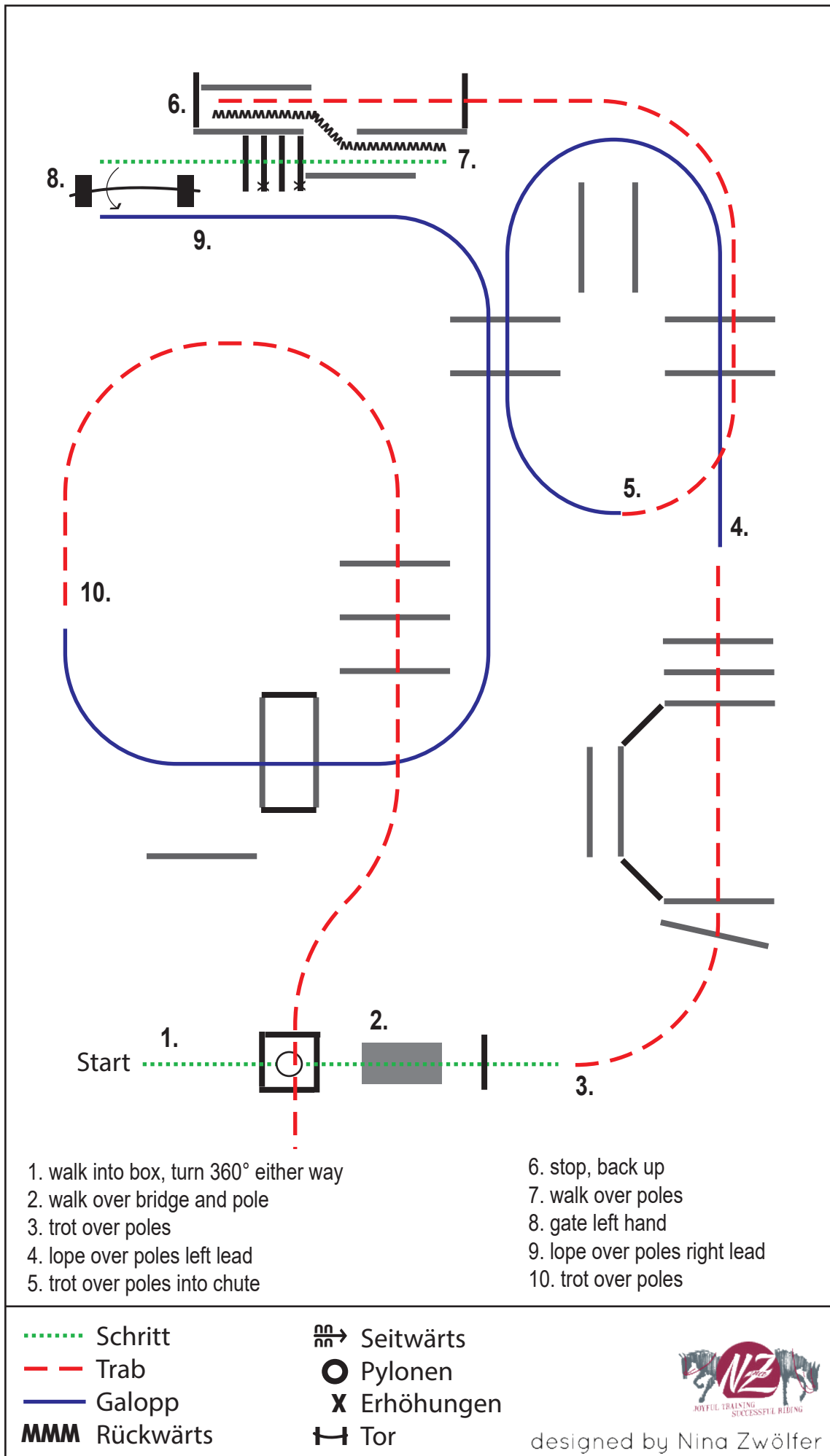
designed by Nina Zwölfer

CWN-C ZNS/ARHA WTC Wr. Neustadt/NÖ - 01.01. - 02.01.2021
 Bewerb 50 & 51 1380 O Trail Finale & AWA Burgenland

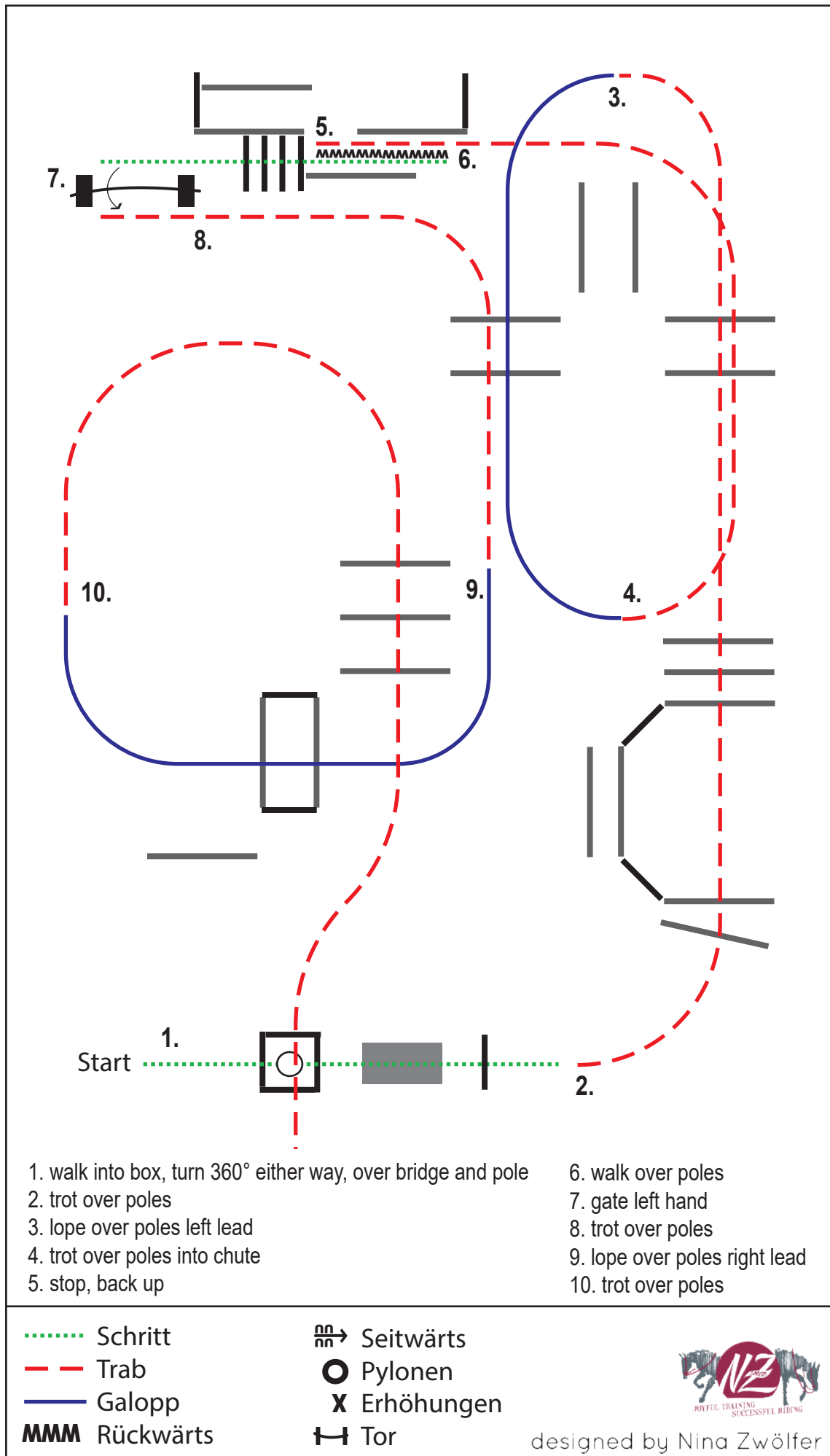


designed by Nina Zwölfer

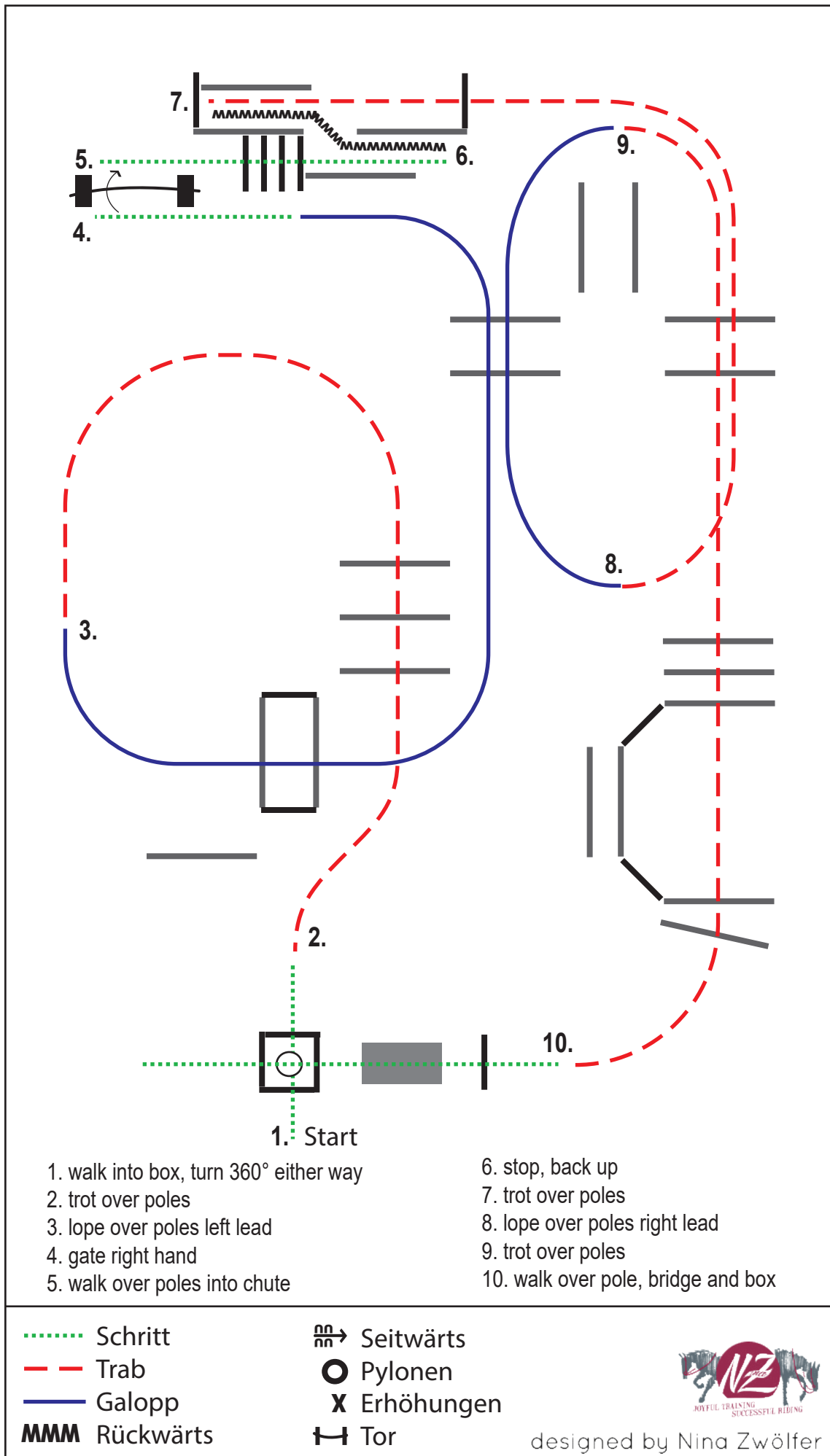
CWN-C ZNS/ARHA WTC Wr. Neustadt/NÖ - 01.01. - 02.01.2021
 Bewerb 70 8380 Y Trail



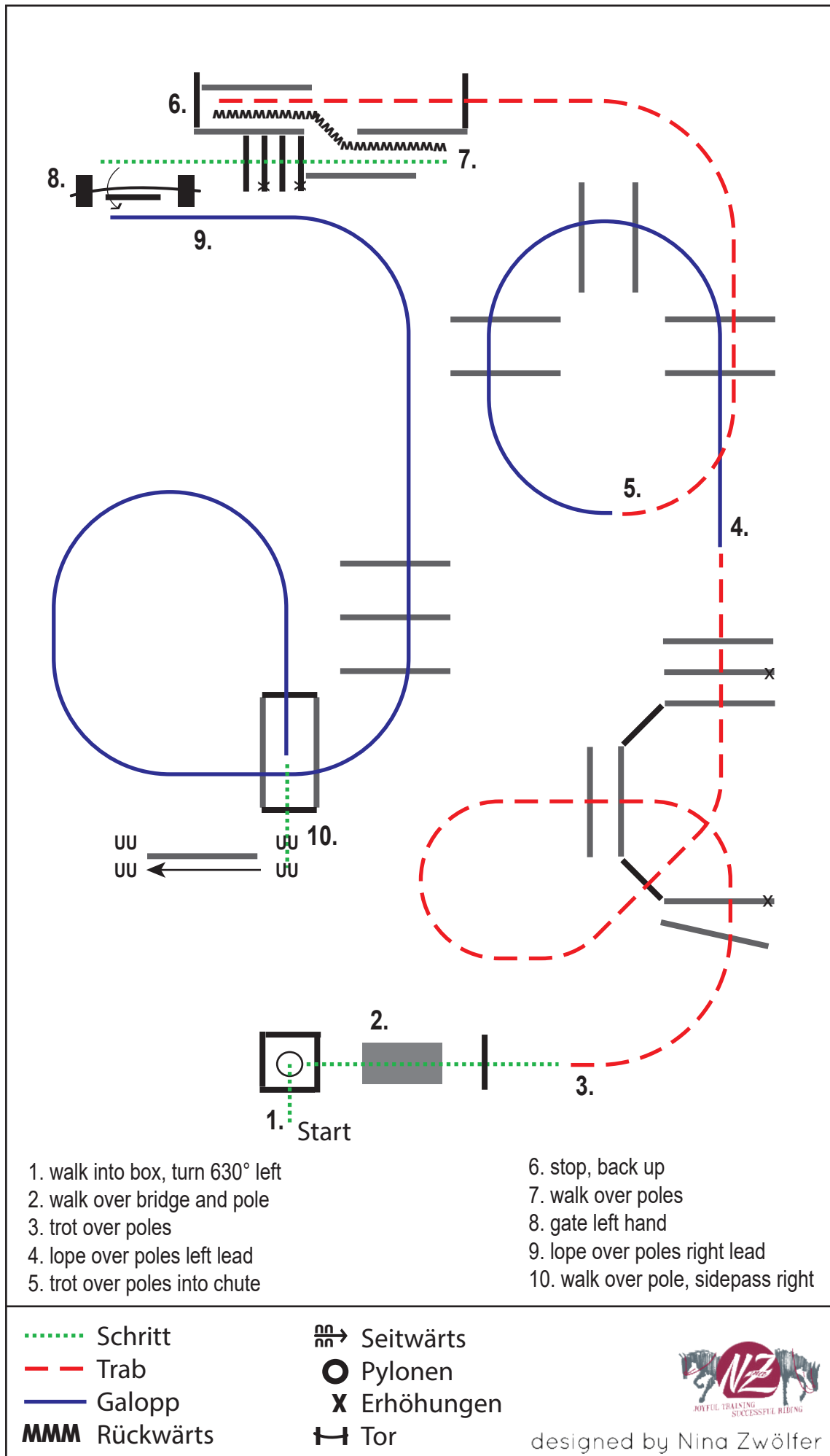
CWN-C ZNS/ARHA WTC Wr. Neustadt/NÖ - 01.01. - 02.01.2021
 Bewerb 71 8454 NY Trail



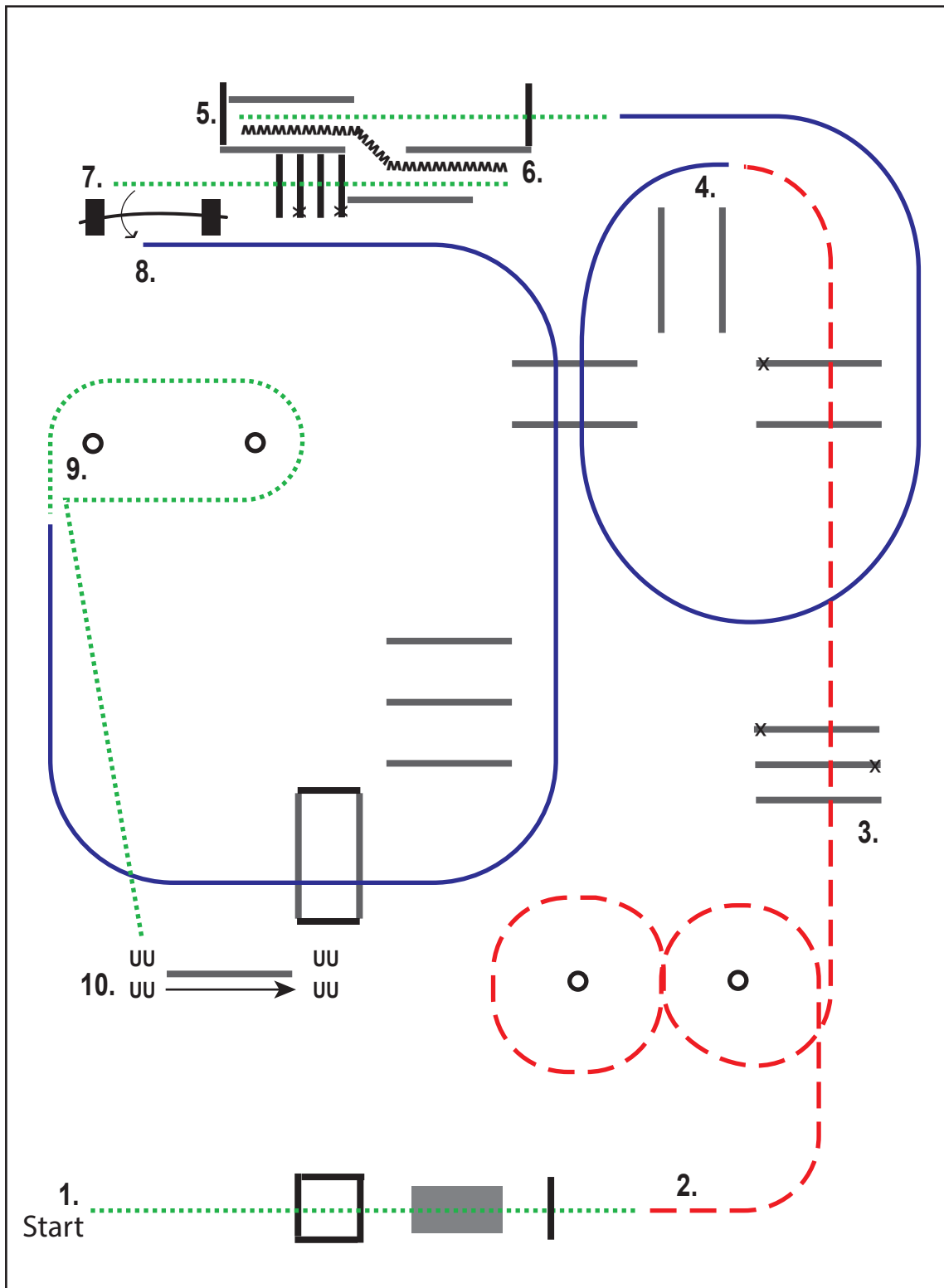
CWN-C ZNS/ARHA WTC Wr. Neustadt/NÖ - 01.01. - 02.01.2021
 Bewerb 72 7380 R Trail Finale



CWN-C ZNS/ARHA WTC Wr. Neustadt/NÖ - 01.01. - 02.01.2021
 Bewerb 73 1380 O Trail



CWN-C ZNS/ARHA WTC Wr. Neustadt/NÖ - 01.01. - 02.01.2021
 Bewerb 74 1380 O Ranch Trail



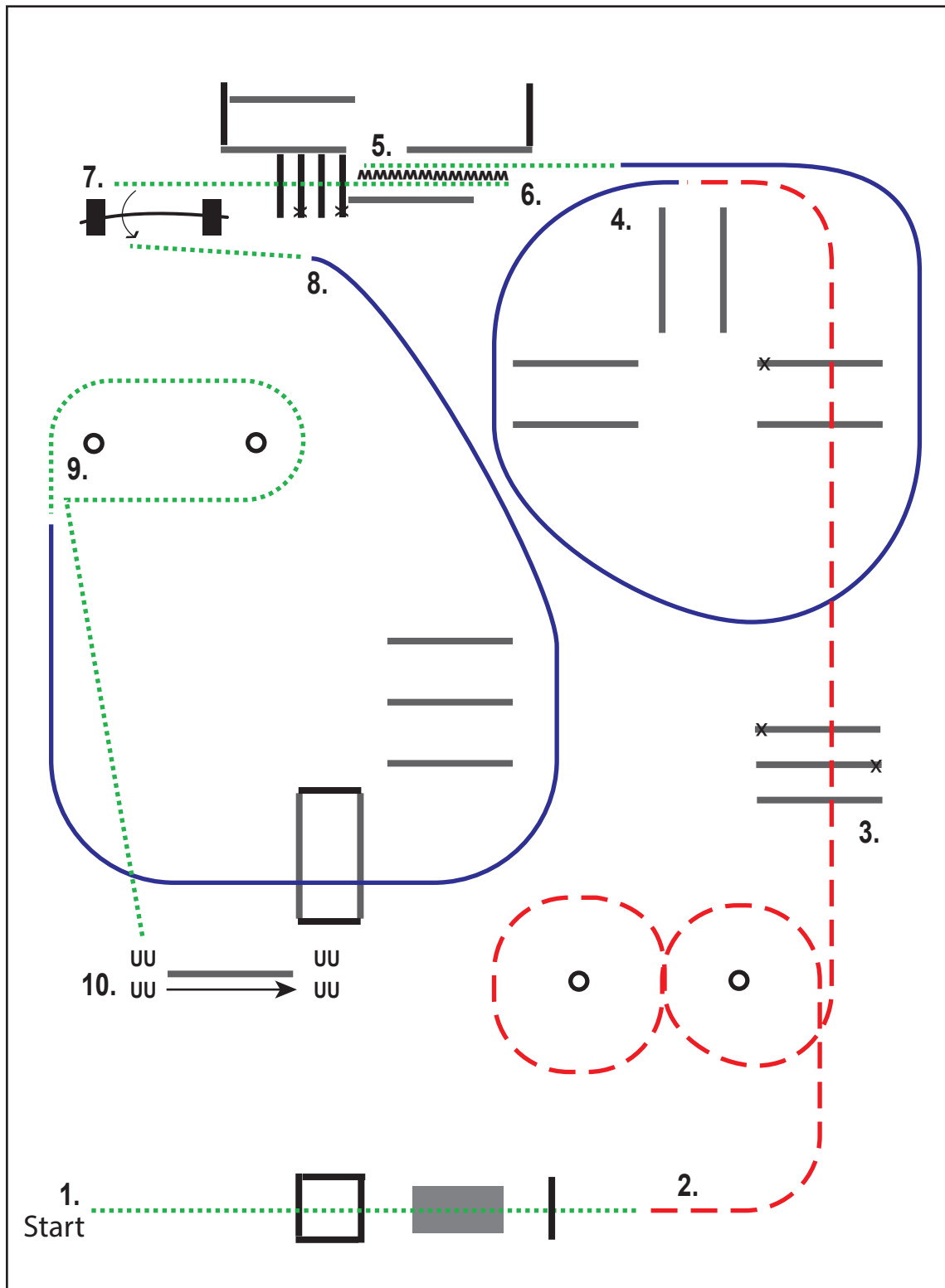
- | | |
|-------------------------------------------|-----------------------------------------------------|
| 1. walk through box, over bridge and pole | 6. walk over poles |
| 2. trot figure eight around the markers | 7. gate left hand |
| 3. trot over poles | 8. lope over poles right lead |
| 4. lope over poles left lead | 9. walk to the log, drag the log around the markers |
| 5. stop, back up | 10. sidepass left |

- | | |
|----------------|----------------|
| Schritt | nn → Seitwärts |
| - - - - - Trab | ○ Pylonen |
| — Galopp | X Erhöhungen |
| MMM Rückwärts | ⊢ Tor |



designed by Nina Zwölfer

CWN-C ZNS/ARHA WTC Wr. Neustadt/NÖ - 01.01. - 02.01.2021
 Bewerb 75 2380 A Ranch Trail



- | | |
|-------------------------------------------|-----------------------------------------------------|
| 1. walk through box, over bridge and pole | 6. walk over poles |
| 2. trot figure eight around the markers | 7. gate left hand |
| 3. trot over poles | 8. lope over box right lead |
| 4. lope left lead | 9. walk to the log, drag the log around the markers |
| 5. walk, stop, back up | 10. walk to the pole, sidepass left |

- | | |
|----------------|----------------|
| Schritt | nn → Seitwärts |
| - - - - - Trab | ○ Pylonen |
| — Galopp | X Erhöhungen |
| MMM Rückwärts | ⌋ Tor |



designed by Nina Zwölfer