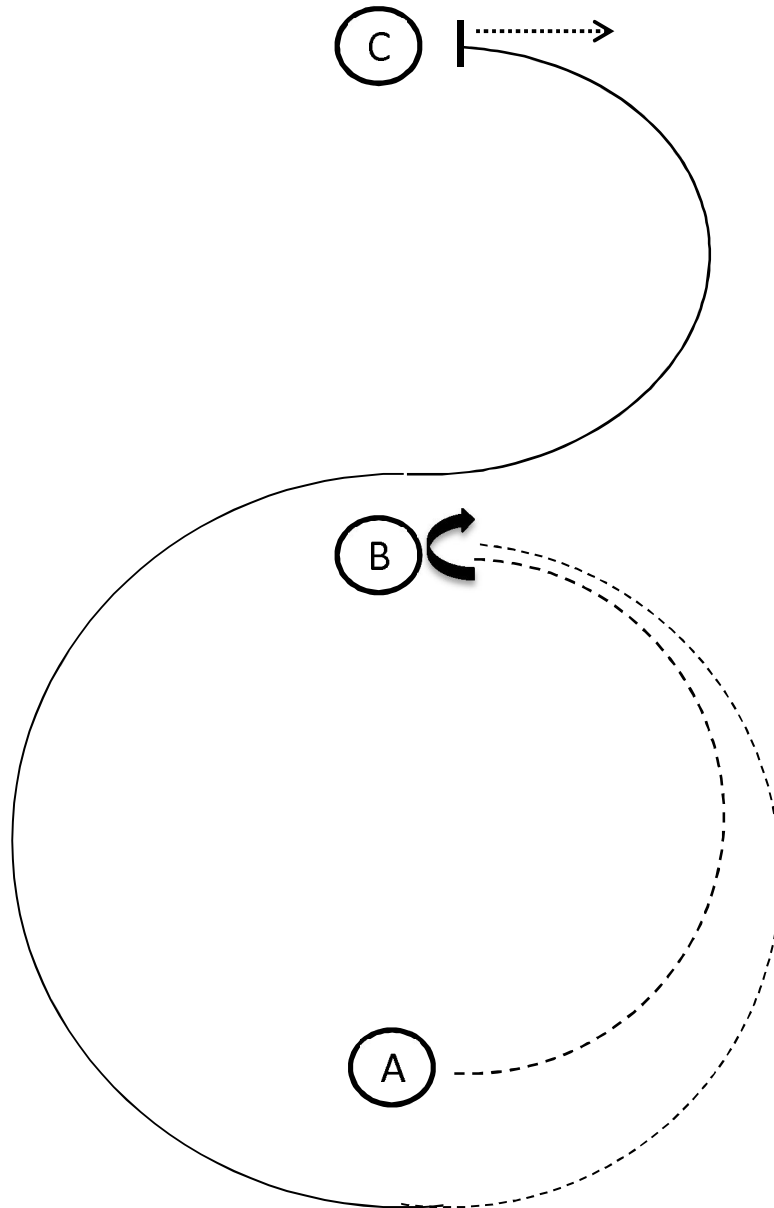
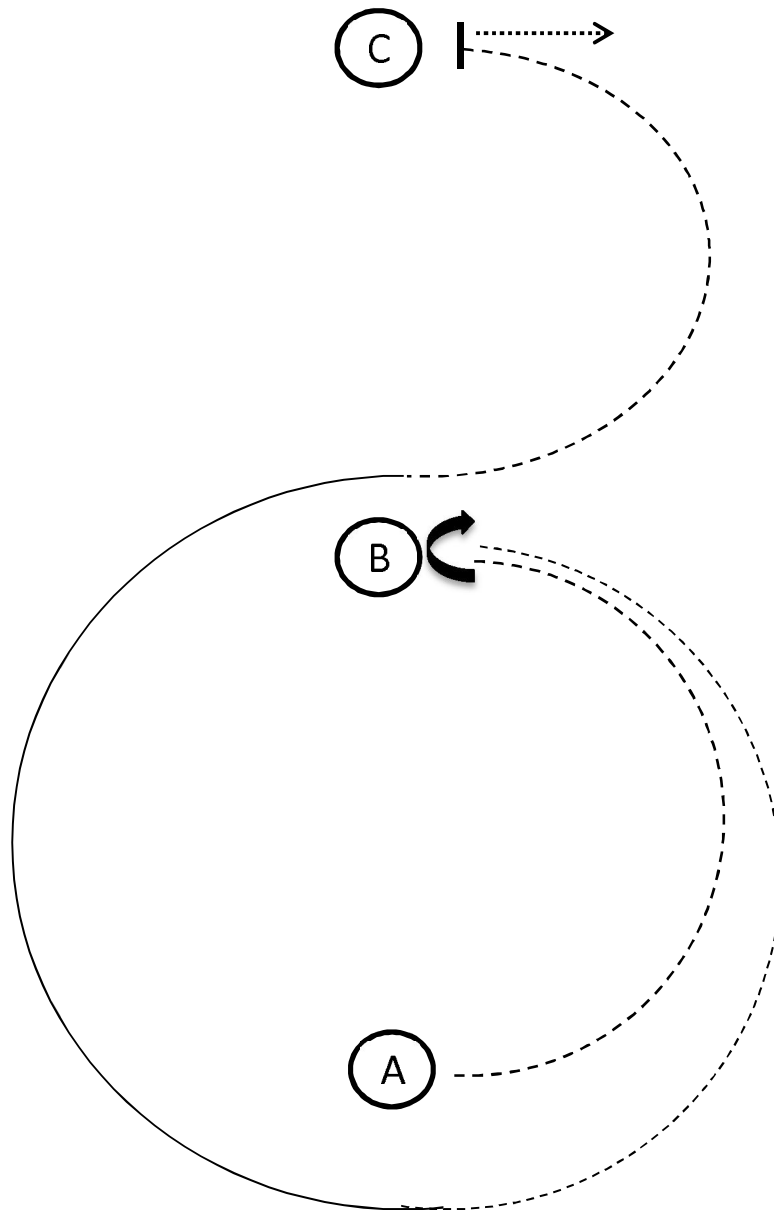


58 Hunt Seat Equitation Youth 18&under APHA
Weiz-Preding 2018



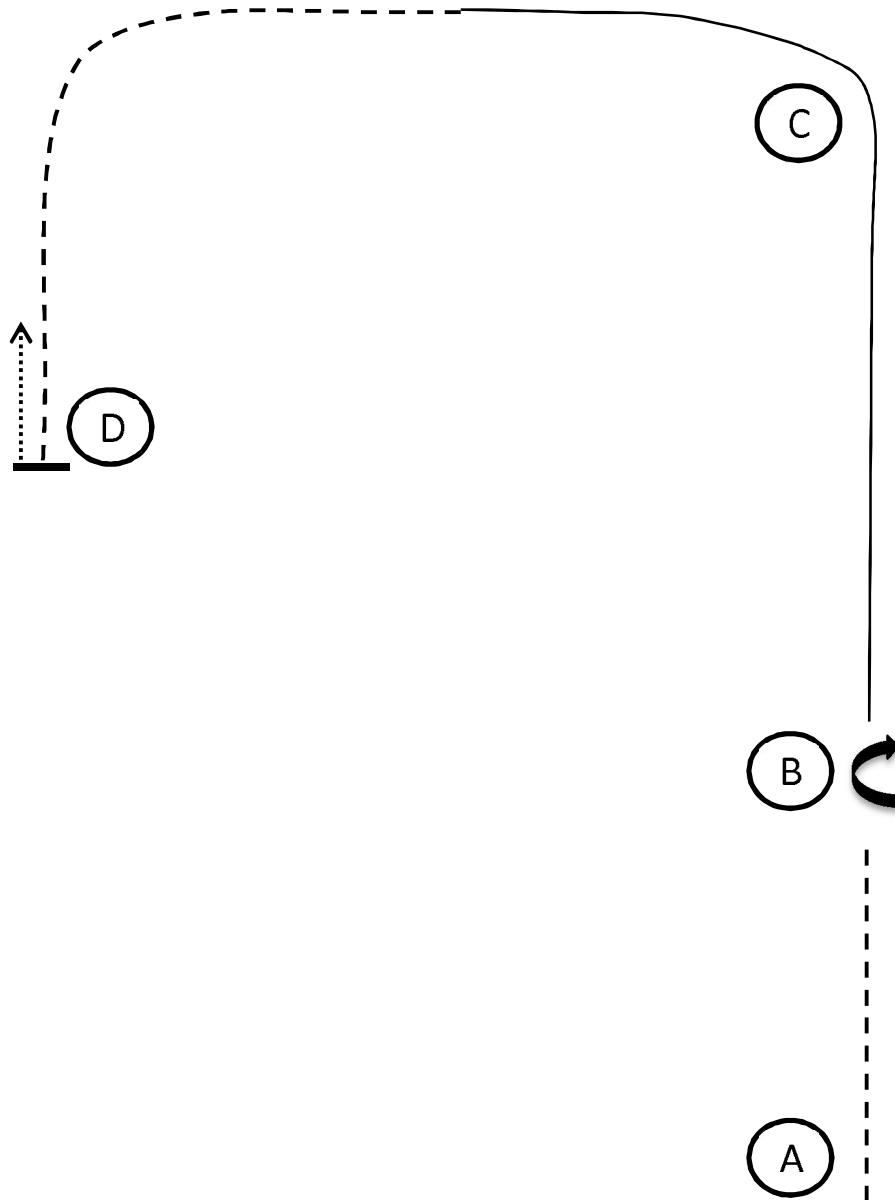
- | | | | |
|---|---|---|---|
| 1 | Posting trot half circle A to B | 4 | At A canter a half circle to B on the left lead |
| 2 | At B stop and perform a 180° turn right on the forehand | 5 | At B maintain the left lead in a half circle to C |
| 3 | Posting trot half circle B to A | 6 | Stop at C and back 4 steps. |

59 Hunt Seat Equitation Novice Youth 18&under APHA
Weiz-Preding 2018



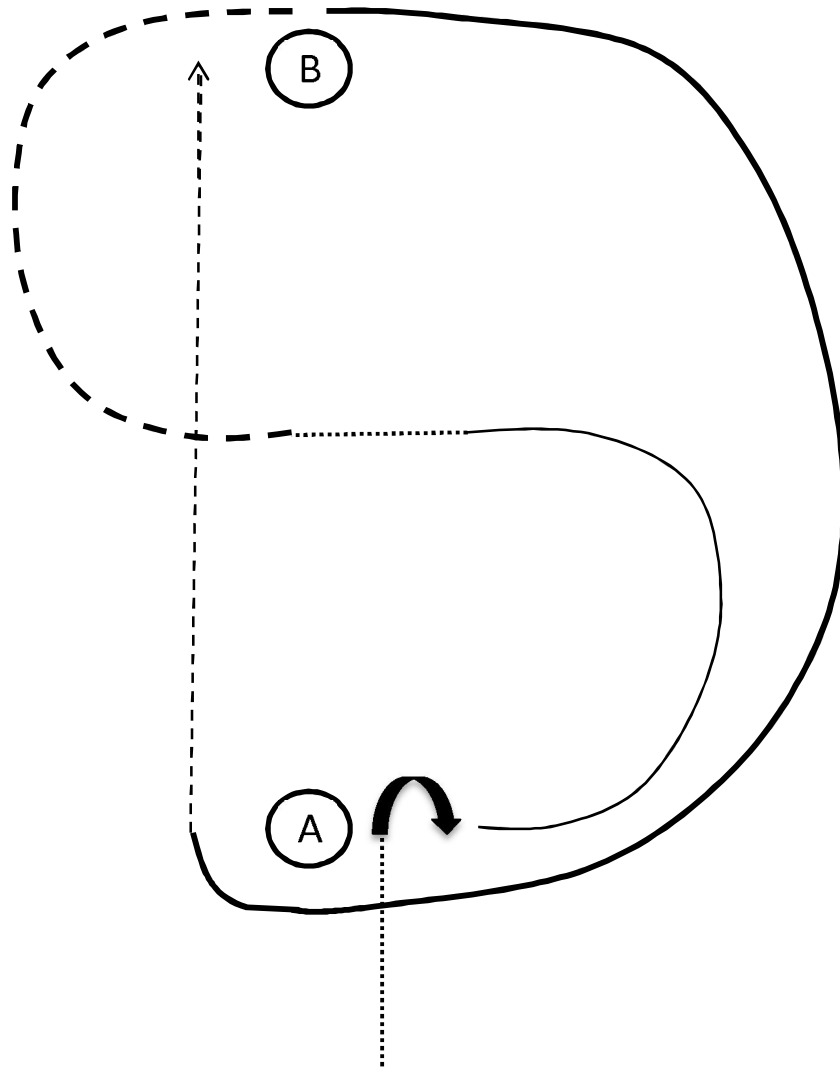
- | | | | |
|---|---|---|--|
| 1 | Posting trot half circle A to B | 4 | At A canter a half circle to B on the left lead |
| 2 | At B stop and perform a 180° turn right on the forehand | 5 | At B return to posting trot and perform a half circle to C |
| 3 | Posting trot half circle B to A | 6 | Stop at C and back 4 steps. |

60 Hunt Seat Equitation Novice Amateur APHA
Weiz-Preding 2018



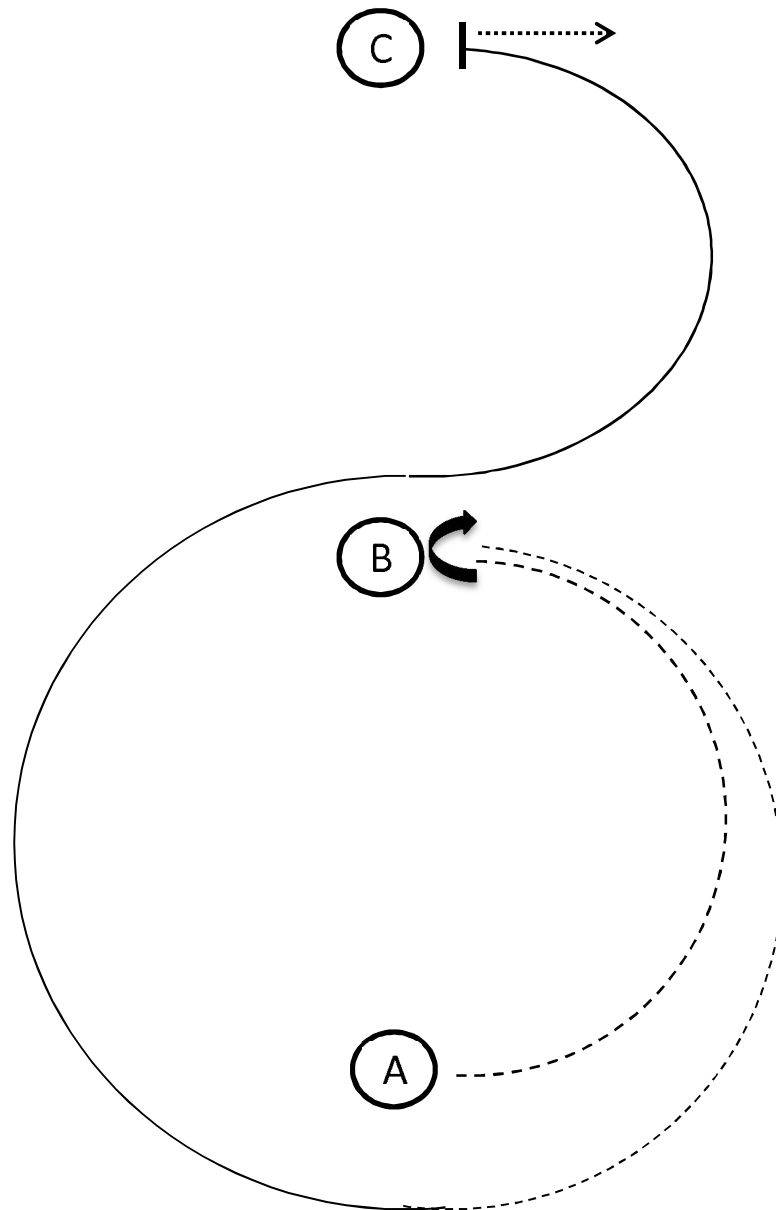
- | | | | |
|---|--|---|---|
| 1 | Be ready at A | 4 | At B canter right lead |
| 2 | Posting trot on the left diagonal from A to B | 5 | At the top of the arc transit to posting trot to D. |
| 3 | Stop at B and turn 360° to the right on the forehand | 6 | Stop and back at least one horse length |

66 + 77 Hunt Seat Equitation Amateur APHA & SPB
Weiz-Preding 2018



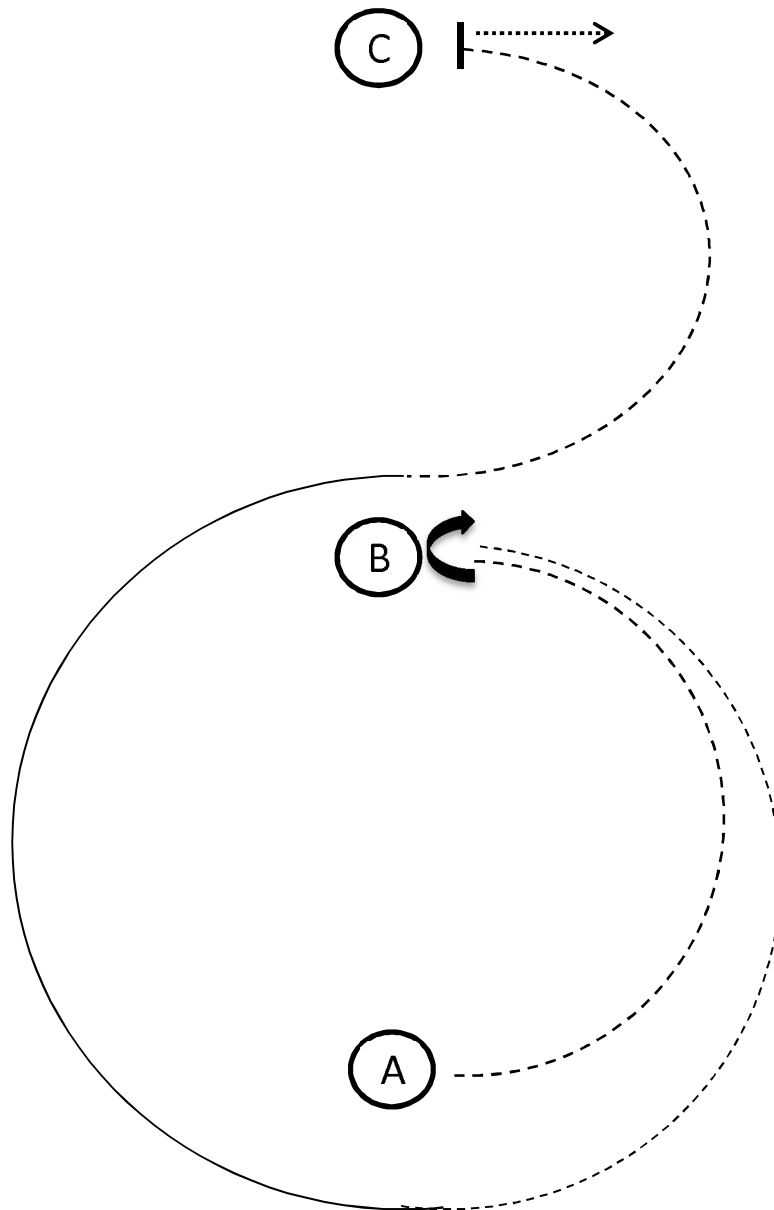
- | | | | |
|---|---|---|--------------------------------------|
| 1 | Walk to A | 4 | Walk 2-3 horselengths |
| 2 | Perform a 90° forehand turn to the right | 5 | Sitting trot to B |
| 3 | Left lead canter to the center of the pattern | 6 | Hand lope right lead to and around A |
| | | 7 | Stop at B. |

58 Hunt Seat Equitation Youth 18&under APHA
Weiz-Preding 2018



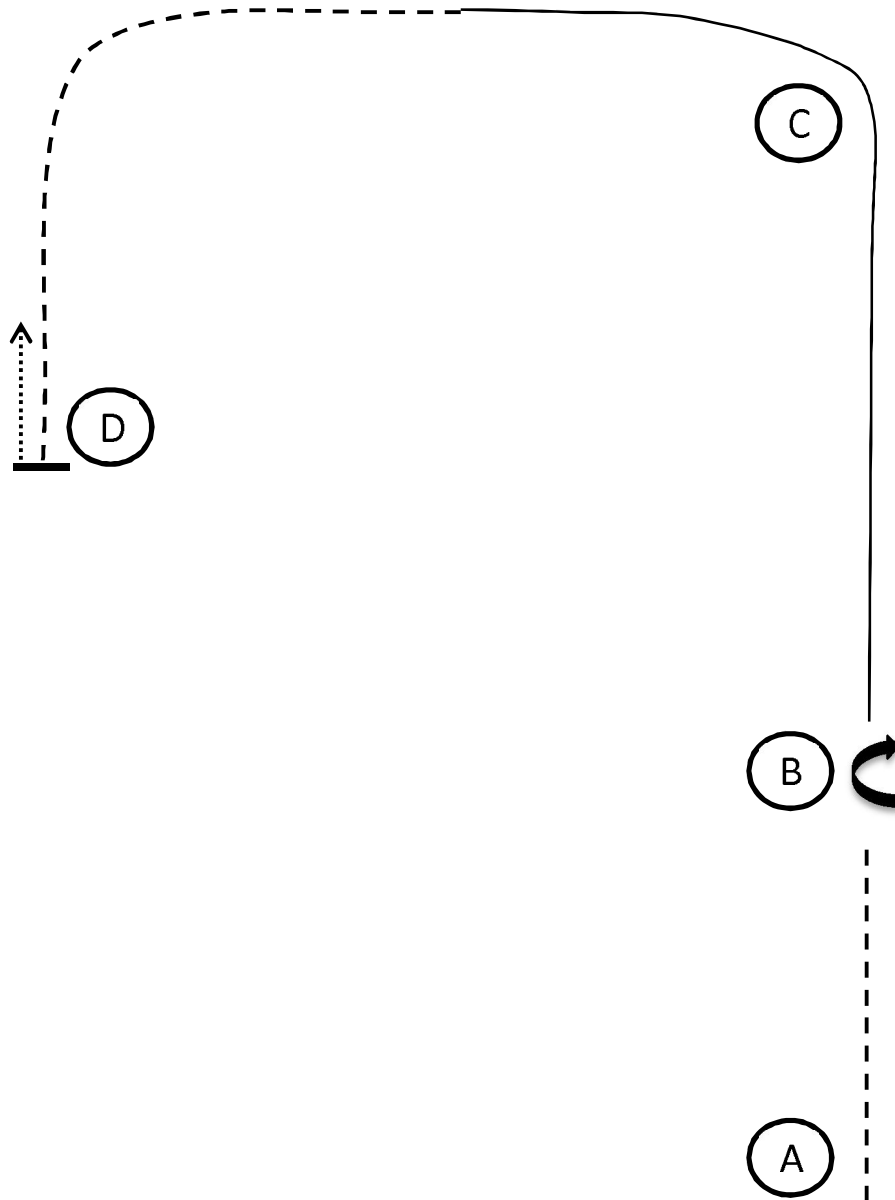
- | | | | |
|---|---|---|---|
| 1 | Posting trot half circle A to B | 4 | At A canter a half circle to B on the left lead |
| 2 | At B stop and perform a 180° turn right on the forehand | 5 | At B maintain the left lead in a half circle to C |
| 3 | Posting trot half circle B to A | 6 | Stop at C and back 4 steps. |

59 Hunt Seat Equitation Novice Youth 18&under APHA
Weiz-Preding 2018



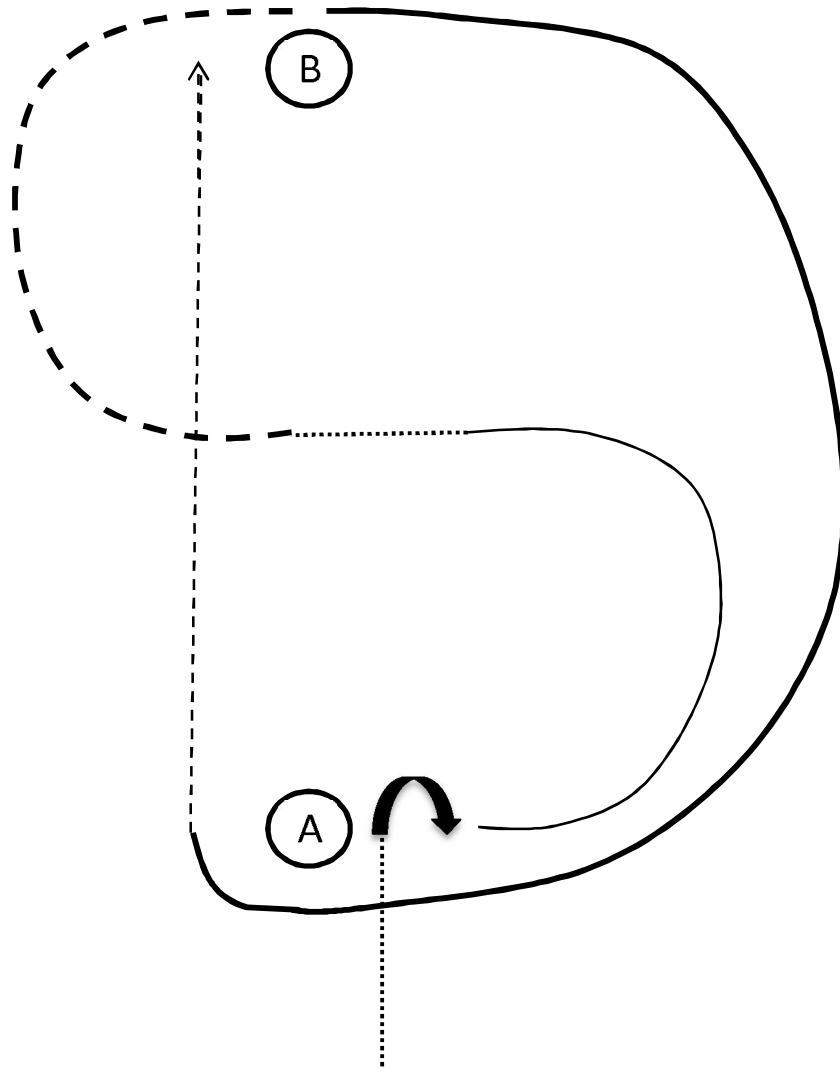
- | | | | |
|---|---|---|--|
| 1 | Posting trot half circle A to B | 4 | At A canter a half circle to B on the left lead |
| 2 | At B stop and perform a 180° turn right on the forehand | 5 | At B return to posting trot and perform a half circle to C |
| 3 | Posting trot half circle B to A | 6 | Stop at C and back 4 steps. |

60 Hunt Seat Equitation Novice Amateur APHA
Weiz-Preding 2018

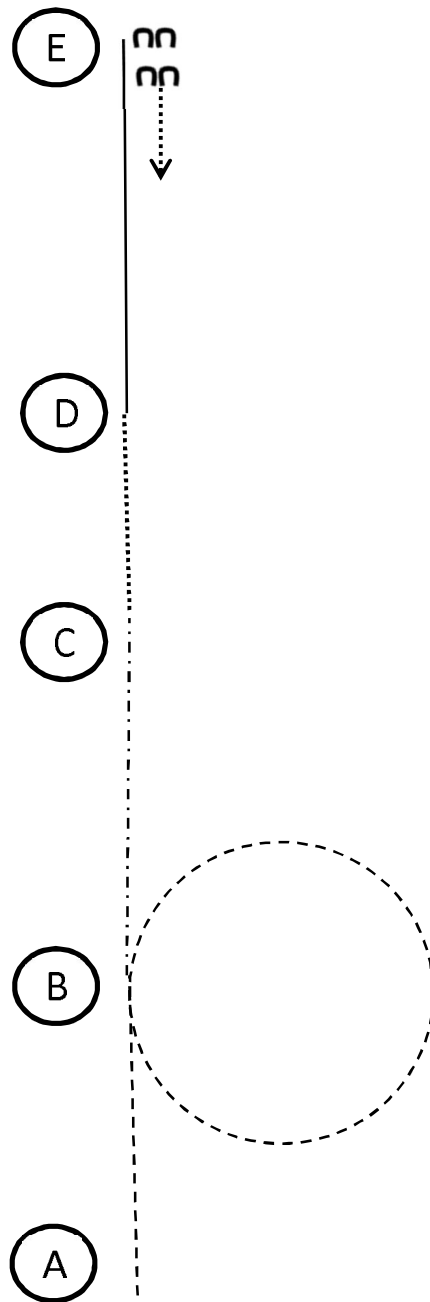


- | | | | |
|---|--|---|---|
| 1 | Be ready at A | 4 | At B canter right lead |
| 2 | Posting trot on the left diagonal from A to B | 5 | At the top of the arc transit to posting trot to D. |
| 3 | Stop at B and turn 360° to the right on the forehand | 6 | Stop and back at least one horse length |

66 + 77 Hunt Seat Equitation Amateur APHA & SPB
Weiz-Preding 2018



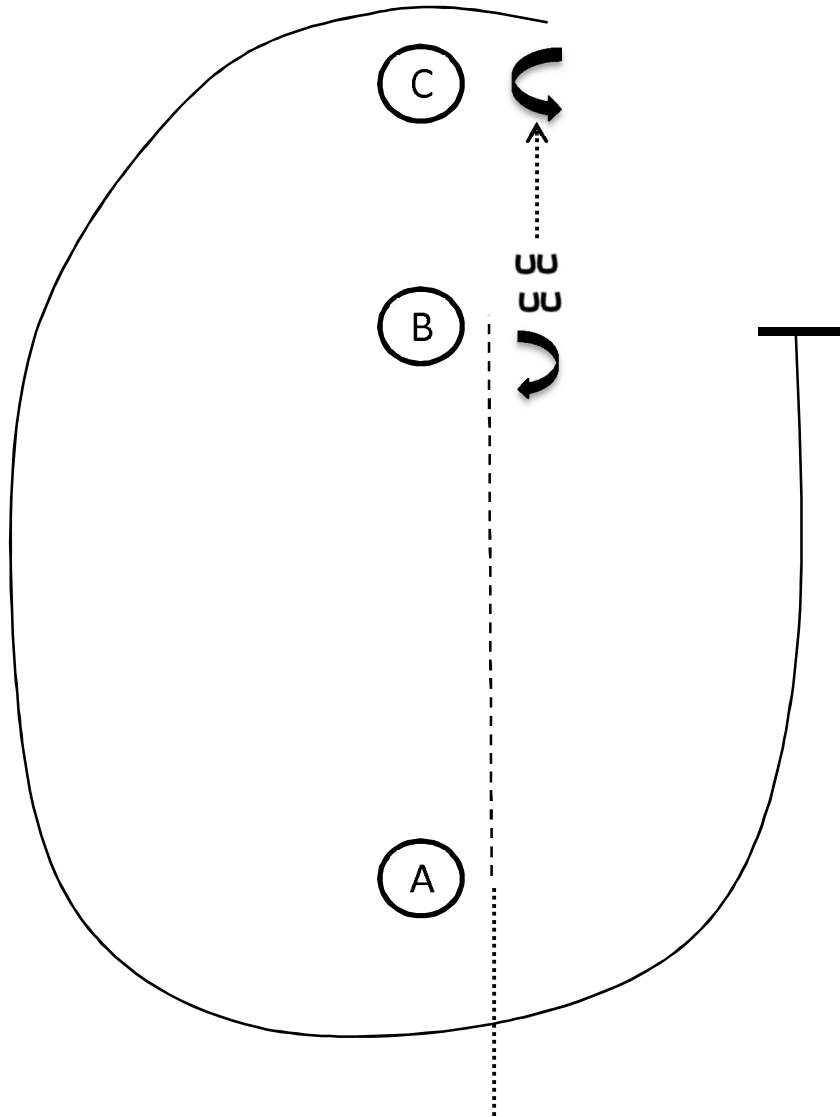
- | | | | |
|---|---|---|--------------------------------------|
| 1 | Walk to A | 4 | Walk 2-3 horselengths |
| 2 | Perform a 90° forehand turn to the right | 5 | Sitting trot to B |
| 3 | Left lead canter to the center of the pattern | 6 | Hand lope right lead to and around A |
| | | 7 | Stop at B. |



- | | | | |
|---|--------------------------------|---|--------------------------------------|
| 1 | Be ready at A | 5 | Walk from C to D |
| 2 | Jog from A to B | 6 | Lope right lead to E |
| 3 | Jog a circle to the right at B | 7 | Stop at E and back one horse length. |
| 4 | Extend the jog to C | | |

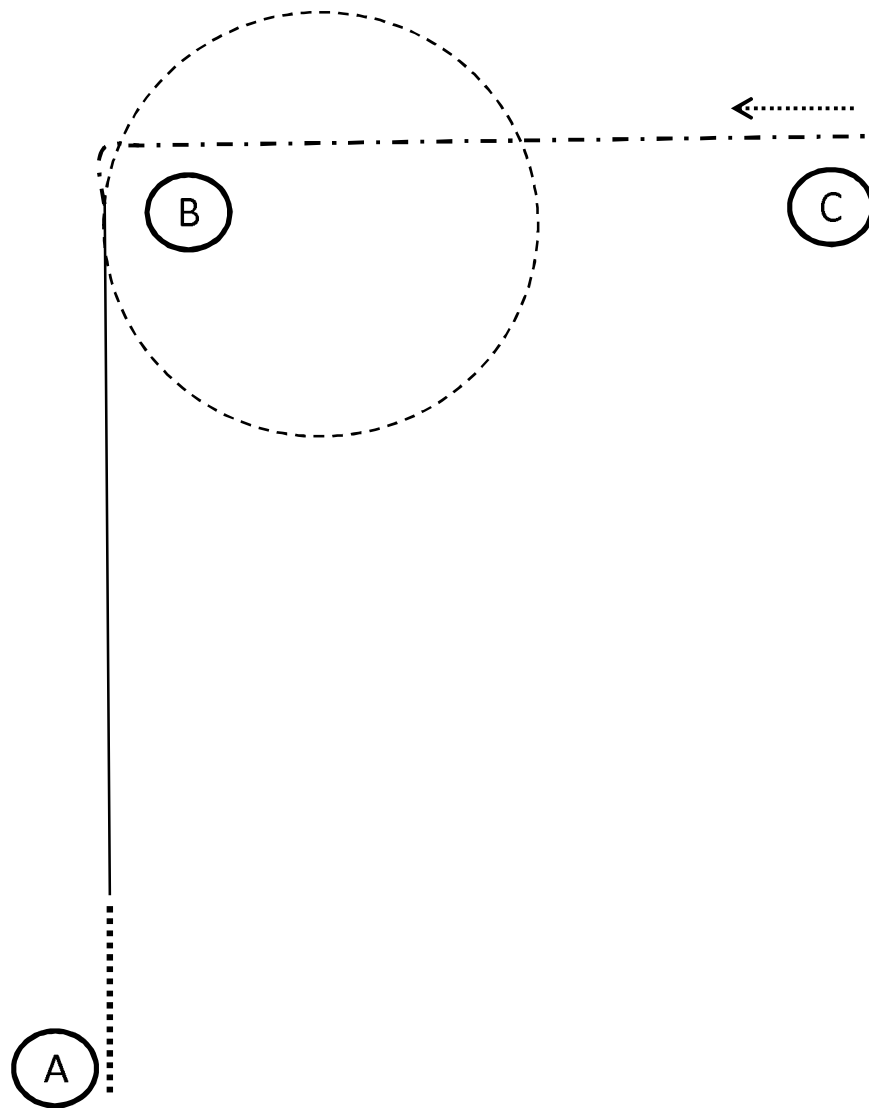


74 Horsemanship Amateur LZ Weiz-Preding 2018



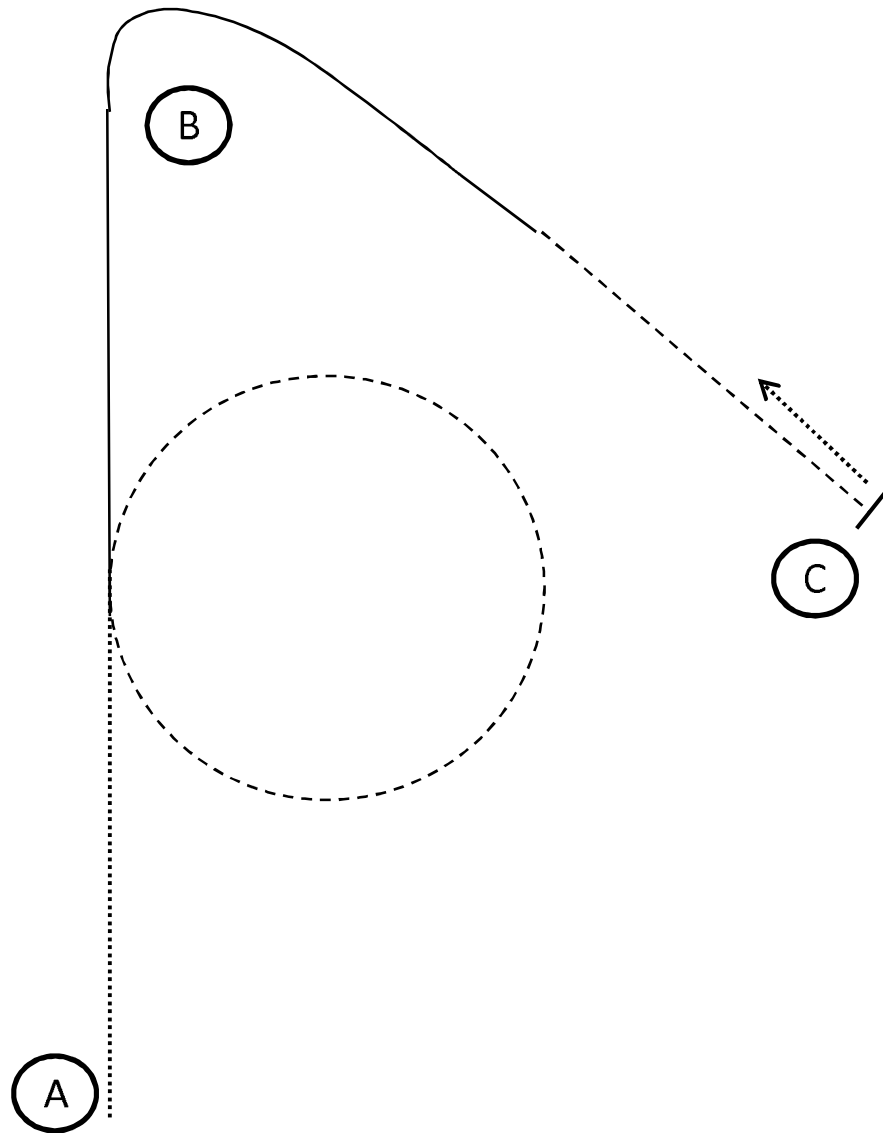
- | | | | |
|---|--|---|--|
| 1 | Walk to A | 4 | Back to C |
| 2 | Jog from A to B | 5 | At C perform a 270° turn left |
| 3 | Stop at B and perform a 180° turn to the right | 6 | Lope a circle around A, returning to B |
| | | 7 | Stop at B. |

75 Horsemanship Youth APHA 18&under
Weiz-Preding 2018



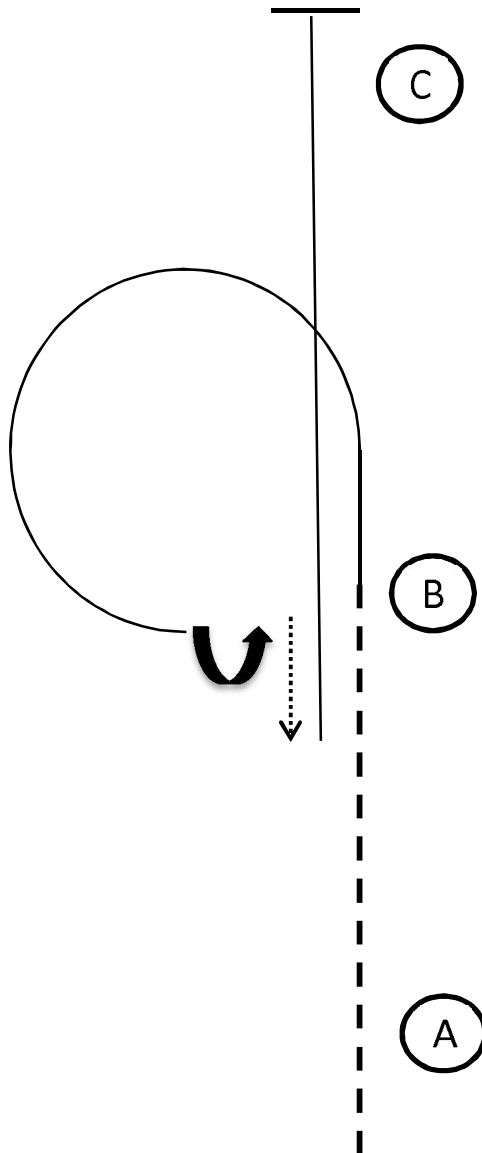
- | | | | |
|---|----------------------------|---|---|
| 1 | At A walk one horse length | 4 | Return to B and extend the trot around B and to C |
| 2 | Right lead lope to B | 5 | Stop at C and back up six steps |
| 3 | At B jog a circle | | |

76 Horsemanship Novice Youth 18&under APHA
Weiz-Preding 2018



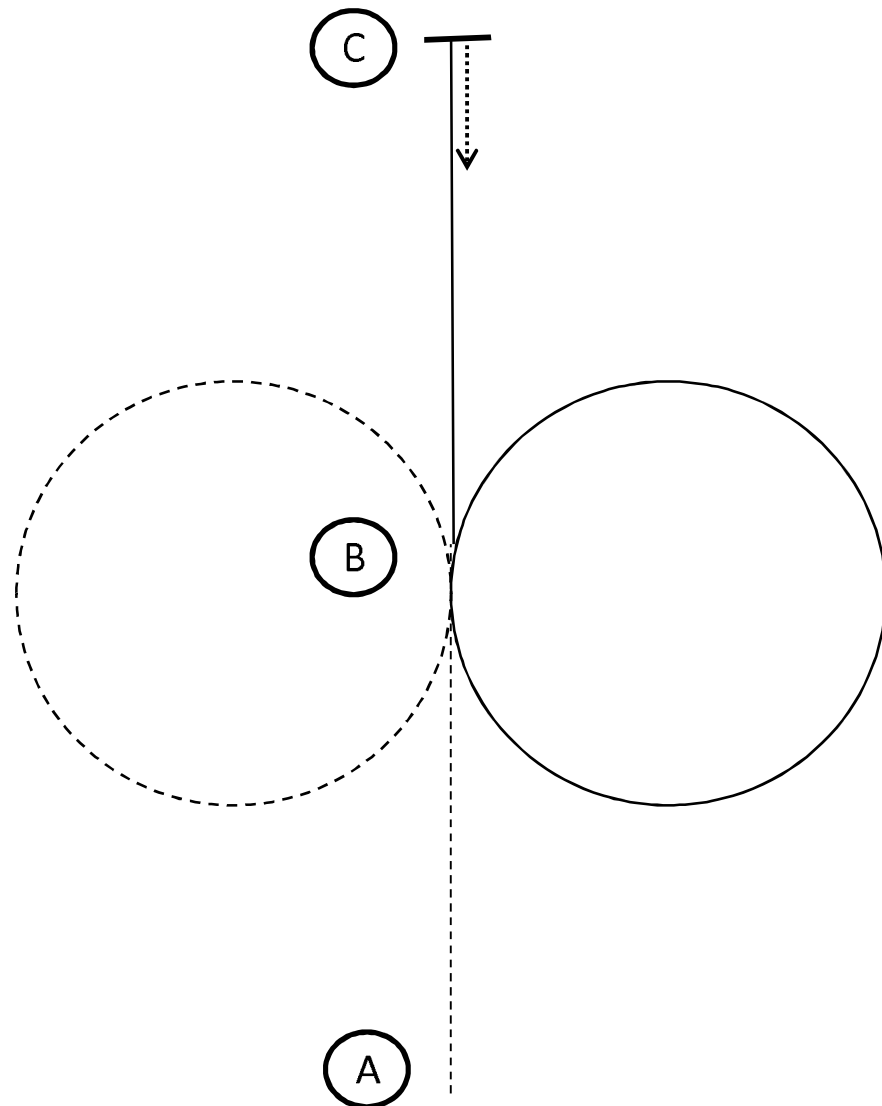
- | | | | |
|---|---|---|---------------------------------------|
| 1 | Be ready at A | 4 | Lope to and around B and halfway to C |
| 2 | Walk from A halfway to B. | 5 | Break into jog to C |
| 3 | At B perform a circle to the right at the jog | 6 | Stop at C and back six steps |

77 Horsemanship Novice Amateur APHA
Weiz-Preding 2018

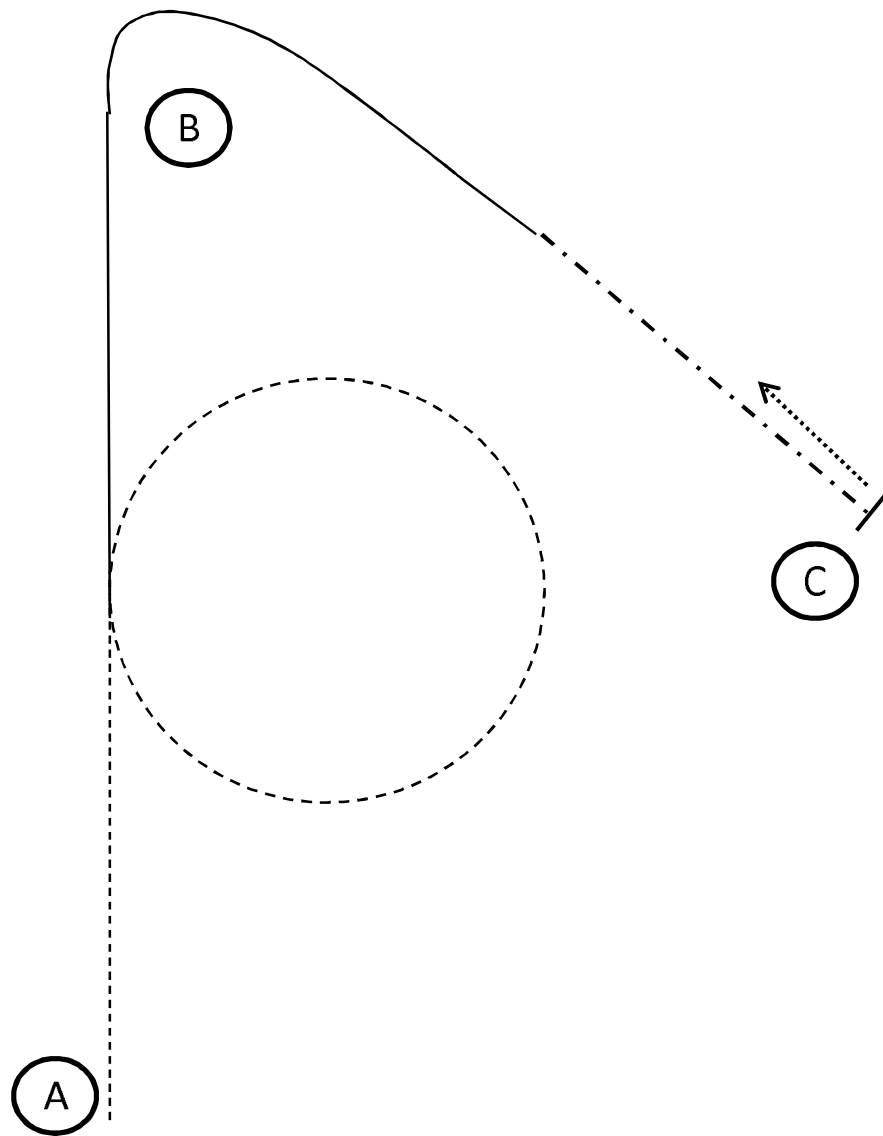


- | | | | |
|---|---|---|--------------------------------|
| 1 | Jog one horse length before A and continue jogging to B | 4 | Turn 450° to the left. |
| 2 | At B lope a circle left lead to B | 5 | Back one horse length |
| 3 | Stop facing B | 6 | Lope right lead to C and stop. |

111 Horsemanship Rookie LZF
Weiz-Preding 2018

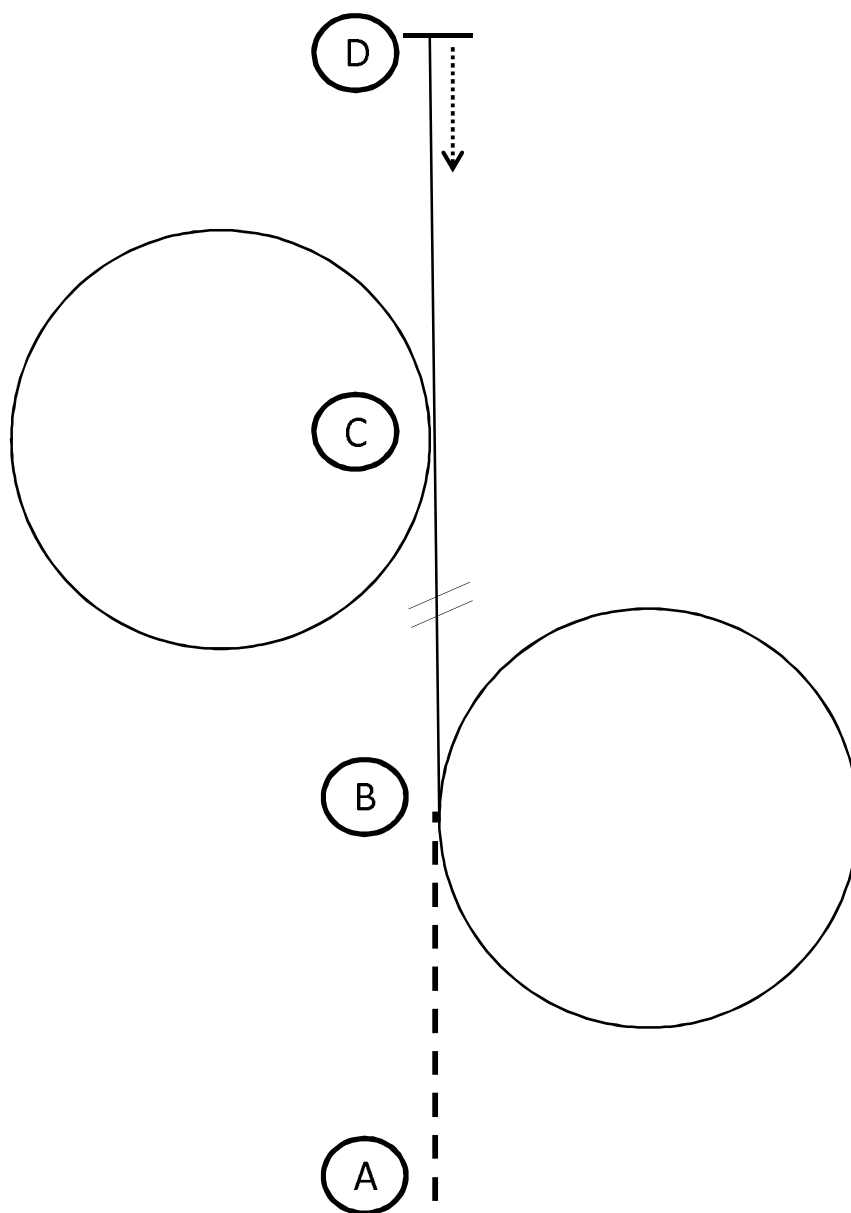


- | | | | |
|---|---|---|--------------------------------|
| 1 | Jog A to B | 4 | Continue the lope from B to C |
| 2 | At B jog a circle to the left | 5 | Stop at C and back four steps. |
| 3 | At B lope a circle to the right on the right lead | | |

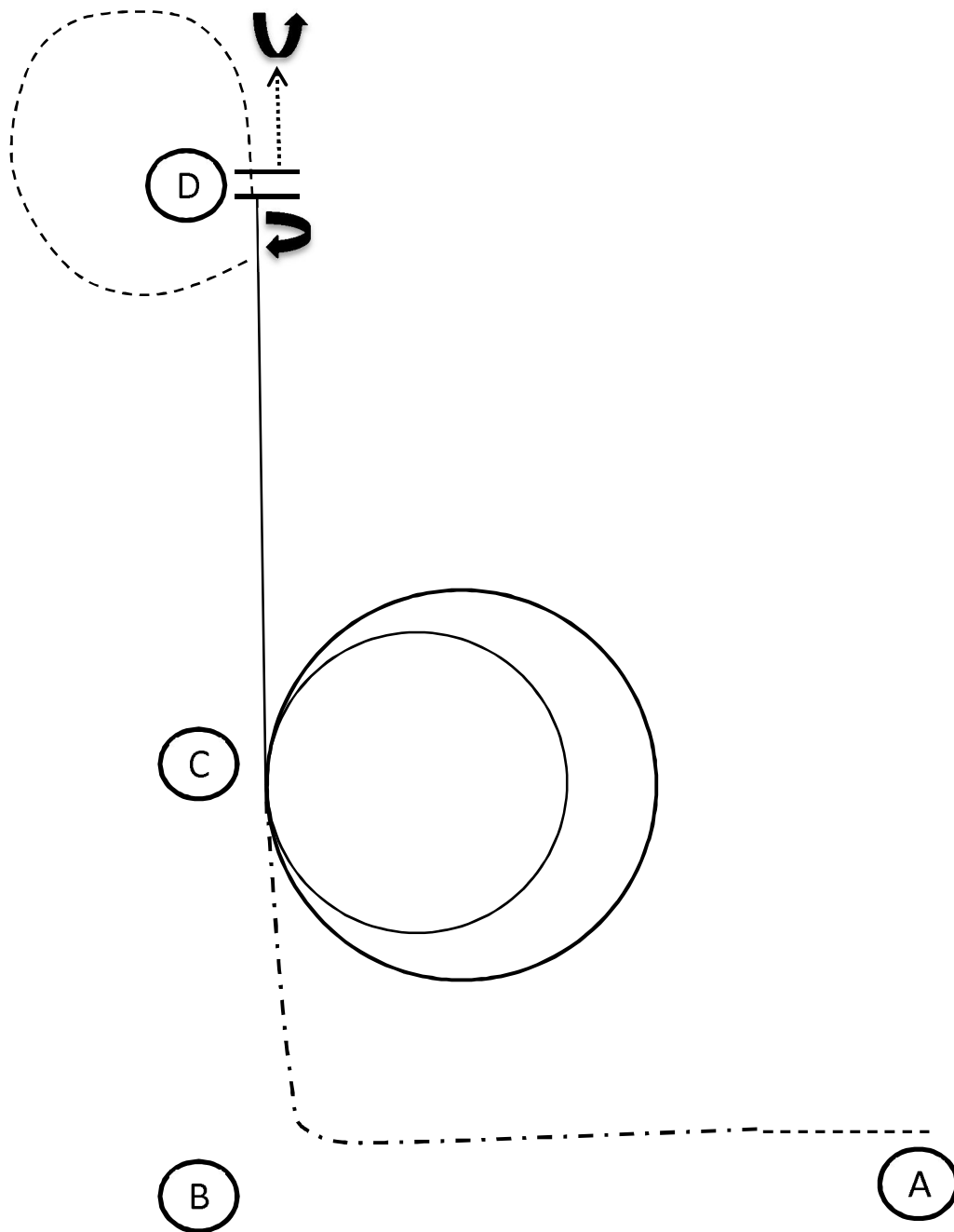


- | | | | |
|---|---|---|-------------------------------|
| 1 | Be ready at A | 4 | Break into extended trot to C |
| 2 | Jog from A halfway to B and perform a circle to the right | 5 | Stop at C and back six steps |
| 3 | Lope to and around B and halfway to C | | |

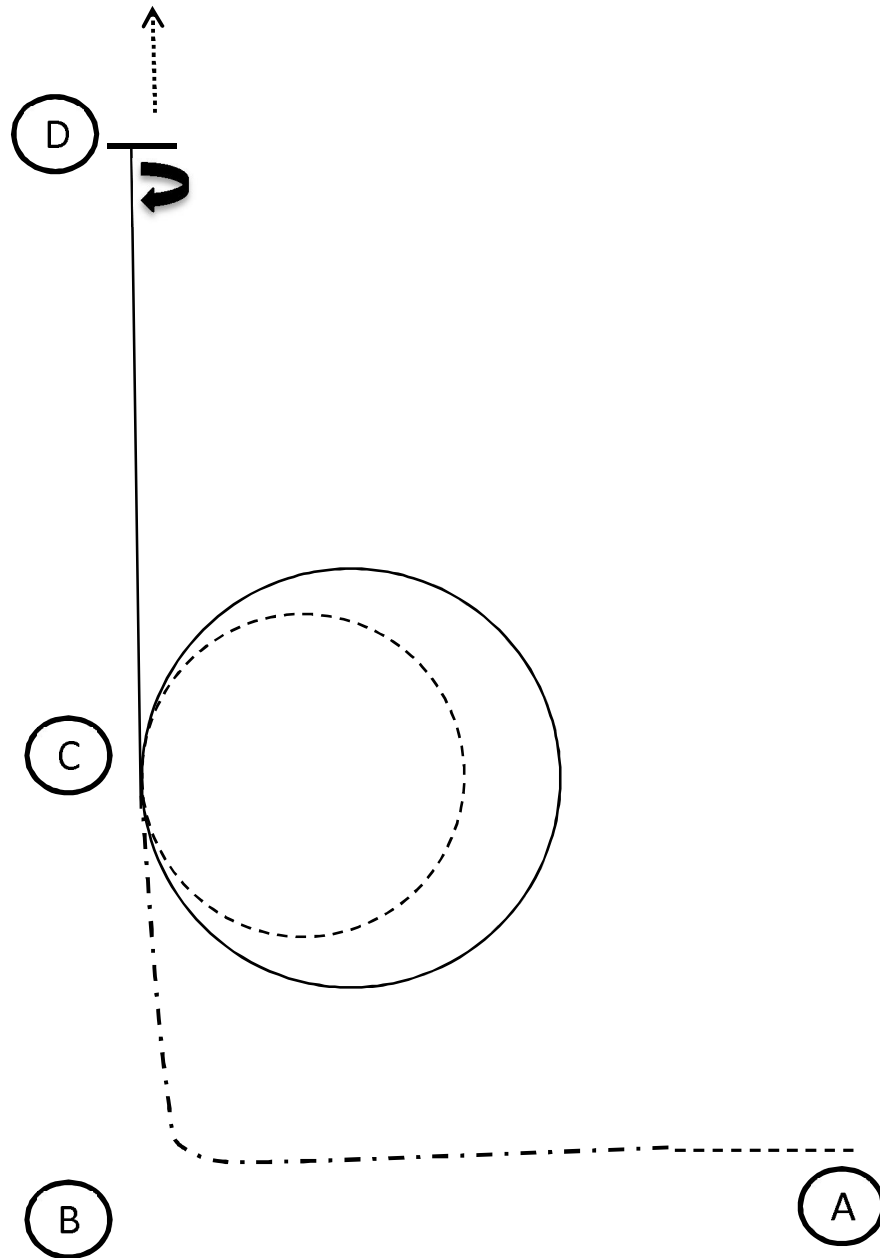
126 + 127 Horsemanship Amateur APHA&SPB
Weiz-Preding 2018



- | | | | |
|---|--------------------------------------|---|-------------------------------------|
| 1 | Be ready at | 5 | Lope a circle to the left at C |
| 2 | Jog from A to B | 6 | Continue loping to D |
| 3 | Lope a circle to the right at B | 7 | Stop at D and back one horse length |
| 4 | Change leads halfway between B and C | | |



- | | | | |
|---|--|---|---|
| 1 | Jog two strides from A | 5 | Continue on the right lead to D |
| 2 | Extend the jog to B around the square corner to C | 6 | Stop at D and turn 180° to the right |
| 3 | Pick up the right lead and lope a small slow circle to the right | 7 | Jog a circle around D |
| 4 | Return to C and lope a large circle with speed at C | 8 | Stop at D and back up one horse length. |
| | | 9 | Turn 360° to the left |



- | | |
|--|--|
| <ol style="list-style-type: none"> 1 Jog two strides from A 2 Extend the jog to B around the square corner to C 3 Jog a small circle to the right 4 Return to C and lope a large circle at C | <ol style="list-style-type: none"> 5 Continue on the right lead to D 6 Stop at D and turn 180° to the right 7 Back up at least 4 strides. |
|--|--|