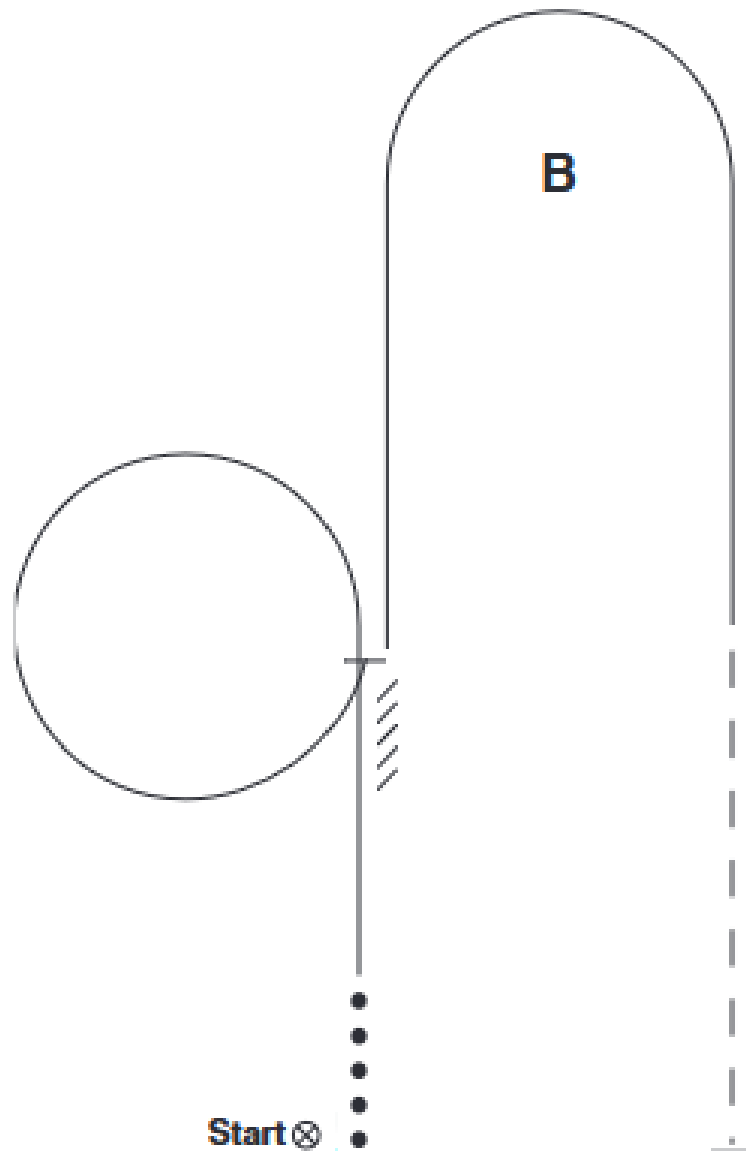


# Wilfersdorf – Warm Up Reitertreffen – 05.04.2025

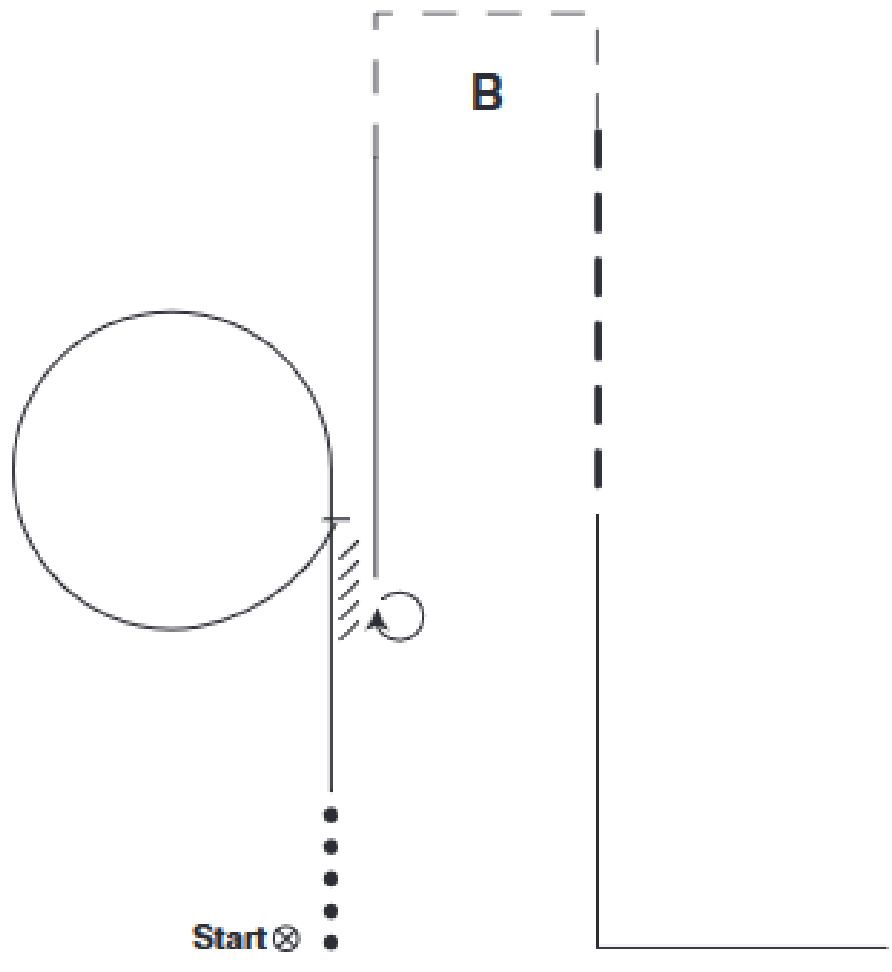
## Bewerb 05 | Rookie Horsemanship



1. Walk two horse lengths
2. Lope left lead to midpoint of arena, lope a cadenced circle to the left
3. Close circle and stop and back one horse length
4. Lope right lead to and around b
5. Break to jog
6. Halt when even with A
7. Exit at a walk or jog

# Wilfersdorf – Warm Up Reitertreffen – 05.04.2025

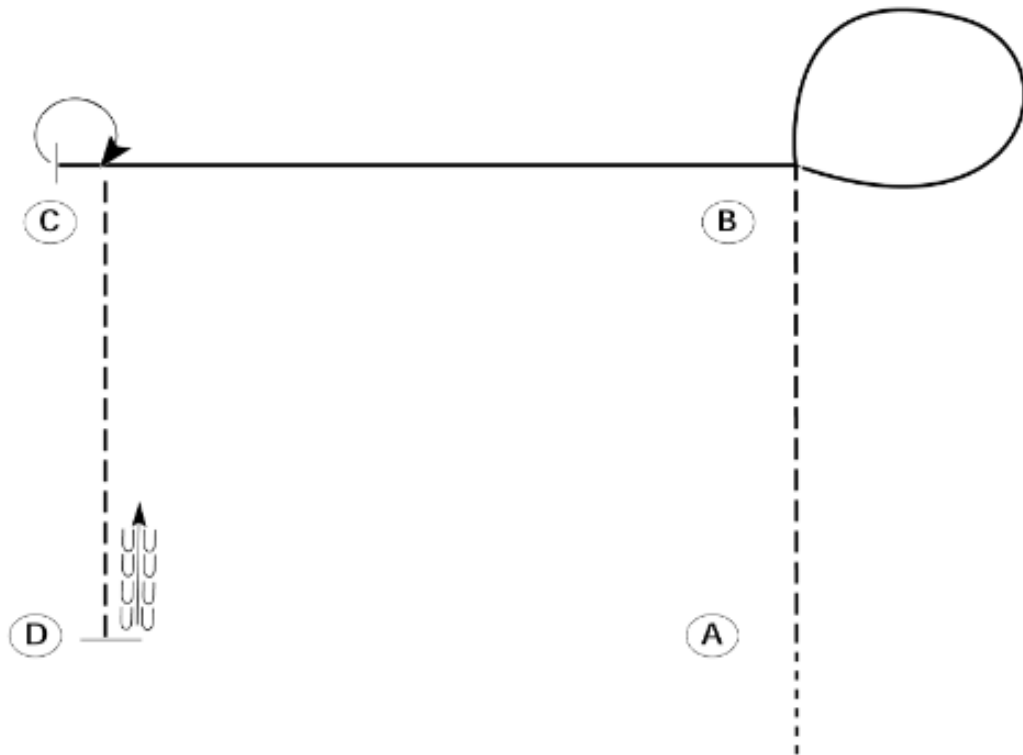
## Bewerb 06 | Amateur Horsemanship



1. Walk two horse lengths
2. Lope left lead to midpoint of arena, lope a cadenced circle to the left
3. Close circle and stop, back one horse length
4. 360° Right
5. Right lead to B
6. At B break to jog, jog a square corner around B, continue jogging
7. Extend the jog to midpoint of arena
8. Lope a left lead, square corner stop
9. Exit at a walk or jog

# Wilfersdorf – Warm Up Reitertreffen – 05.04.2025

## Bewerb 07 | Youth Horsemanship



Be ready before A.

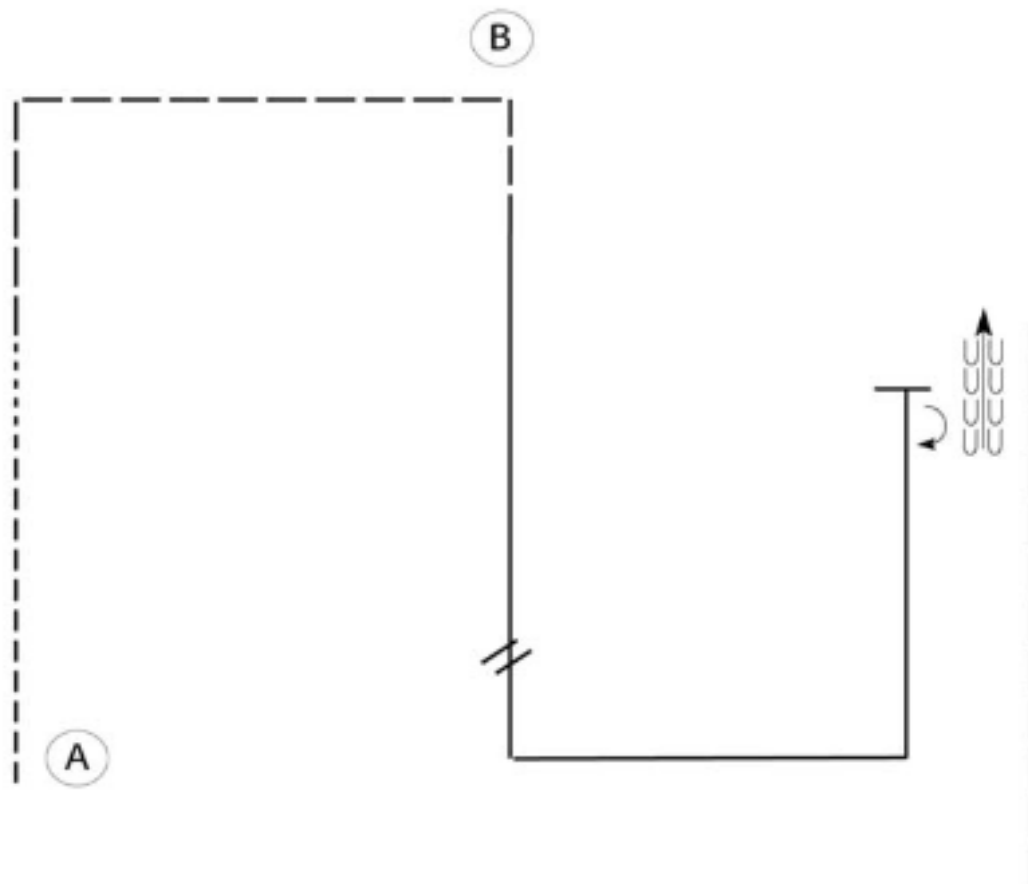
1. Walk to A.
2. Jog to B.
3. Lope on the right lead in a circle to the right.
4. Continue to lope on the right lead to C.
5. Stop at C.
6. Turn 270 degrees to the right.
7. Jog to D.
8. Stop at D and back approximately one horse length.

Follow the instructions of your ring steward.

<b>Walk</b>	-----
<b>Jog</b>	-----
<b>Extended Jog</b>	-----
<b>Lope</b>	-----
<b>Leg Yield</b>	
<b>Lead Change</b>	↘
<b>Back</b>	← 3 3 3
<b>Marker</b>	⊙ B
<b>Sidepass</b>	←-----→

# Wilfersdorf – Warm Up Reitertreffen – 05.04.2025

## Bewerb 23 | Open Horsemanship



Be ready at A.

1. Jog from A. Break to the walk and walk FORWARD 2 strides (crawling will be a minus maneuver).
2. Extended jog two square corners.
3. Lope on the right lead.
4. Perform a simple lead change before even with A.
5. Lope left lead two square corners.
6. Stop and perform a 180 degree turn right then back approximately one horse length.
7. Jog to exit.