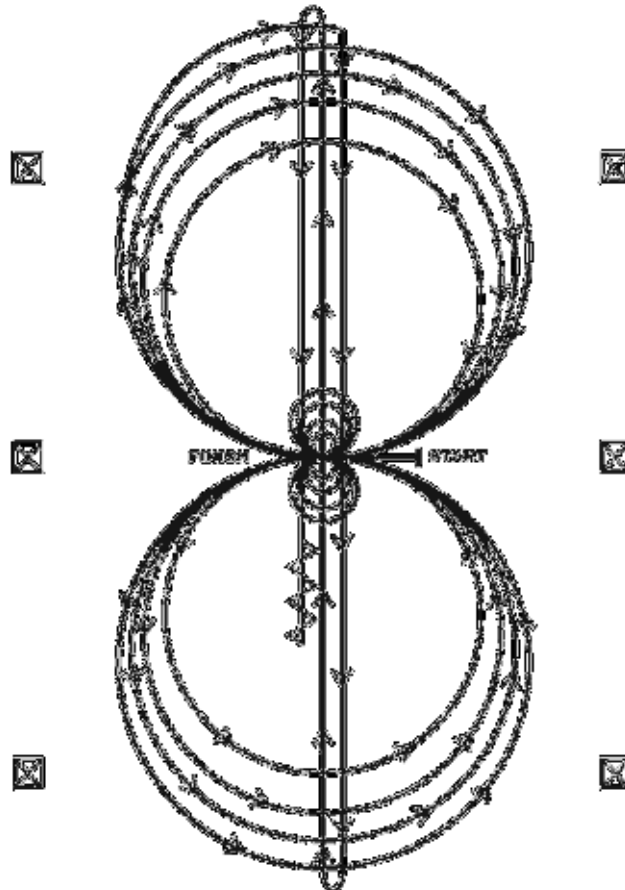


Reitertreffen Weiz-Preding 2026

Reining Open # 4 (Bew. Nr. 42)

Show Date: 05-02-2026

REINING PATTERN 4



Horses may walk or jog to the border of the arena. Horses must walk or stop prior to starting pattern. Beginning at the center of the arena facing the left wall or fence.

1. Beginning on the right lead, complete three circles to the right: the first two large and last the third circle small and slow. Stop at the center of the arena. Heeltide.
2. Complete four spins to the right. Heeltide.
3. Beginning on the left lead, complete three circles to the left: the first two circles large and last, the third circle small and slow. Stop at the center of the arena. Heeltide.
4. Complete four spins to the left. Heeltide.
5. Beginning on the right lead, run a large fast circle to the right, change leads at the center of the arena, run a large fast circle to the left, and change leads at the center of the arena. (Figure 8)
6. Position around perimeter of circle to the right. At the top of the circle, run down the middle to the far end of the arena past the end marker and do a right rollback—no heeltide.
7. Run up the middle to the opposite end of the arena past the end marker and do a left rollback—no heeltide.
8. Run past the center marker and do a sliding stop. Back up to the center of the arena or at least ten feet (three meters). Heeltide at time—complete completion of the pattern.

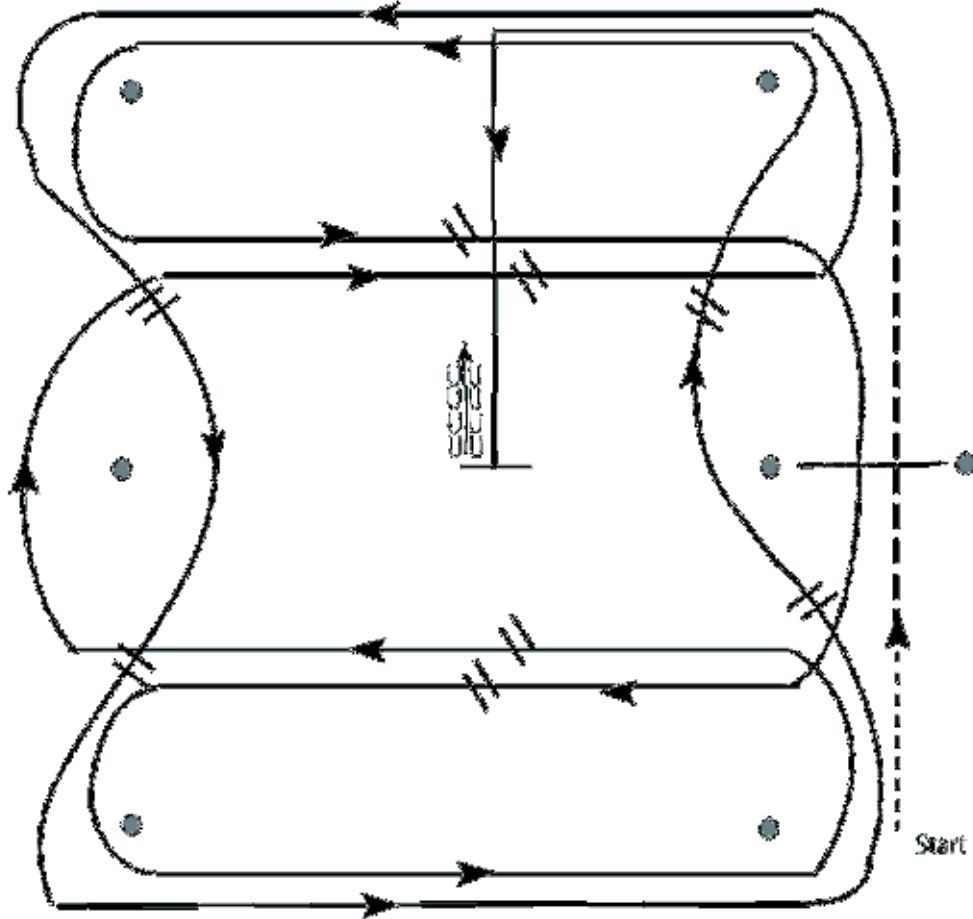
[R/AQHAP-4]

Pattern Provided by:
Johanna Vorraber

Reitertreffen Weiz-Preding 2026

Western Riding Open # 5 (Bew. Nr. 12)

Show Date: 05-02-2026



1. Walk, transition to jog, jog over log.
2. Transition to the lope, on the left lead.
3. First line change.
4. Second line change.
5. Third line change.
6. Fourth line change.
7. First crossing change.
8. Lope over the log.
9. Second crossing change.
10. Third crossing change.
11. Fourth crossing change.
12. Lope, stop and back.

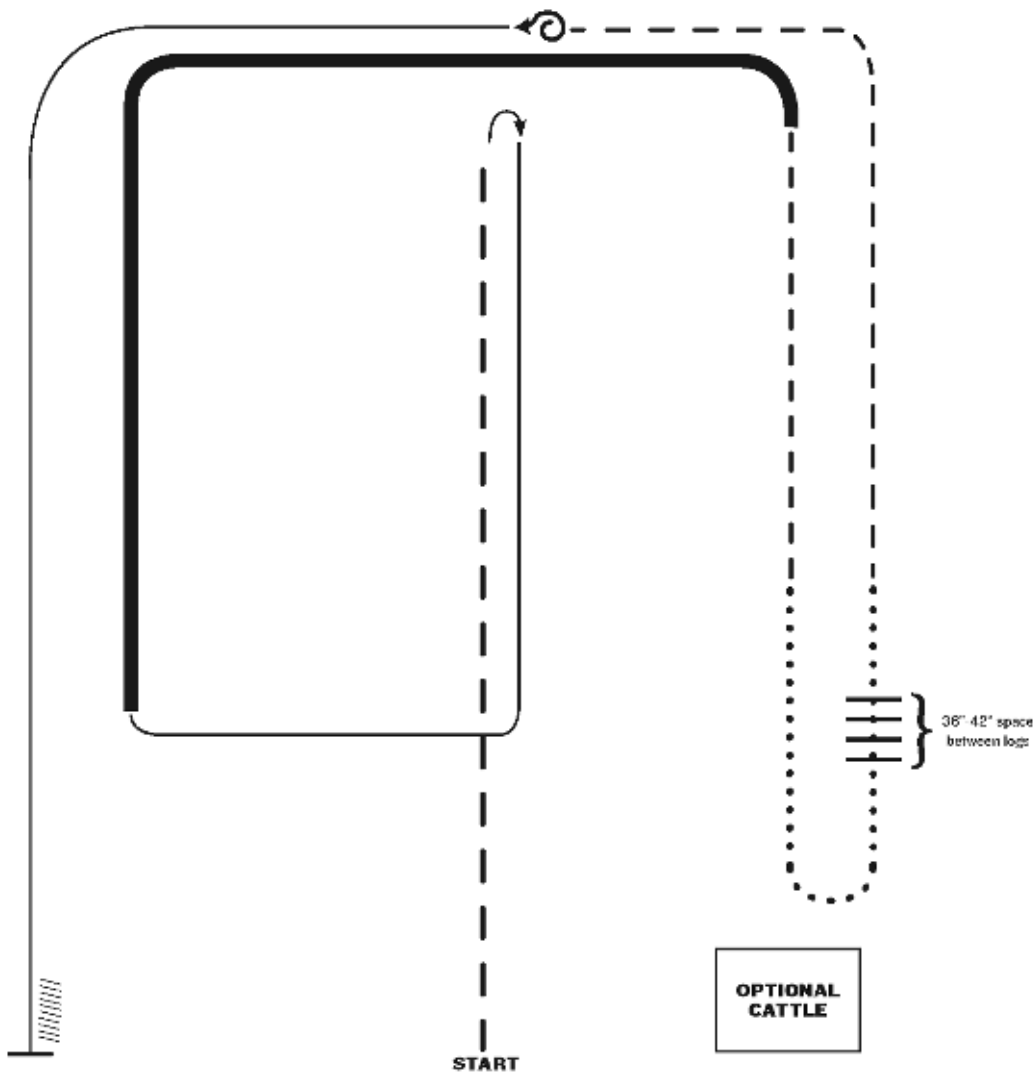
[WR/OP-5]

Pattern Provided by:
Johanna Vorraber

Reitertreffen Weiz-Preding 2026

Ranch Riding Open # 15 (Bew. Nr. 13)

Show Date: 05-02-2026



1. Extended trot
2. Stop, rollback right
3. Lope right lead
4. Extended lope (right lead)
5. Trot
6. Walk
7. Walk over logs
8. Walk
9. Trot
10. Stop, 360 left
11. Lope left lead
12. Stop and back

Note: The drawn description of this pattern is only intended for the general depiction of the pattern. Exhibitors should utilize the arena space to best exhibit their horses.

[RR/AQHA-15]

Pattern Provided by:
Johanna Vorraber

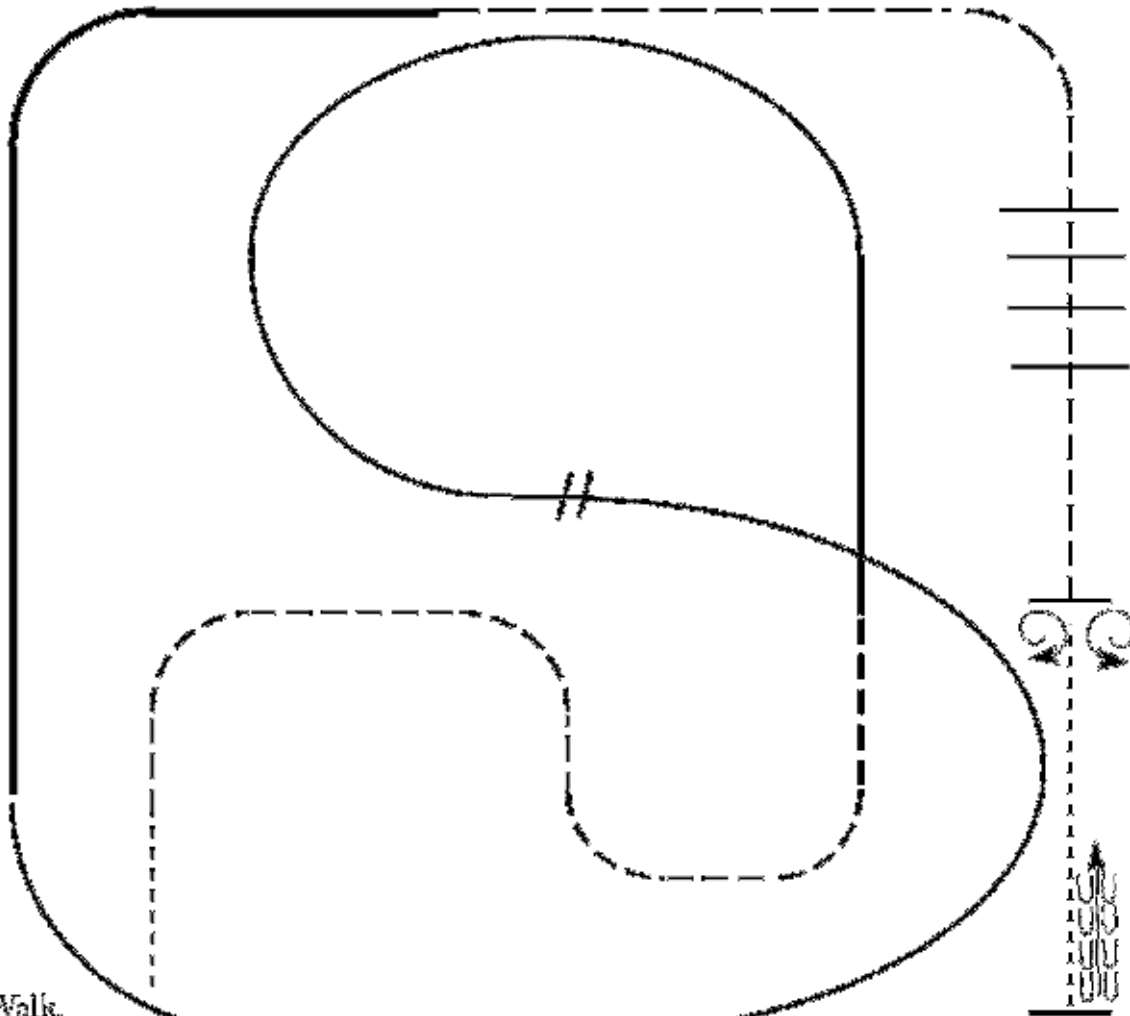
Reitertreffen Weiz-Preding 2026

Ranch Riding Open # 4 (Bew. Nr. 16)

Show Date: 05-02-2026

www.HorseShowPatterns.com

www.HorseShowPatterns.com



1. Walk.
2. Trot serpentine
3. Lope left lead around end of arena and then diagonally across arena.
4. Change leads (simple or flying) and
5. Lope on the right lead around end of the arena.
6. Extend lope on the straight away around corner to center of arena.
7. Extend trot around corner of arena
8. Collect to a trot
9. Trot over poles
10. Stop do a 360 turn each direction (either direction 1st)
11. Walk, stop and back.

- | | |
|--------------|-----------|
| Walk | ----- |
| Jog | - - - - - |
| Extended Jog | - - - - - |
| Lope | ————— |
| Lead Change | /// |
| Back | ←←←←← |
| Marker | ⓑ |

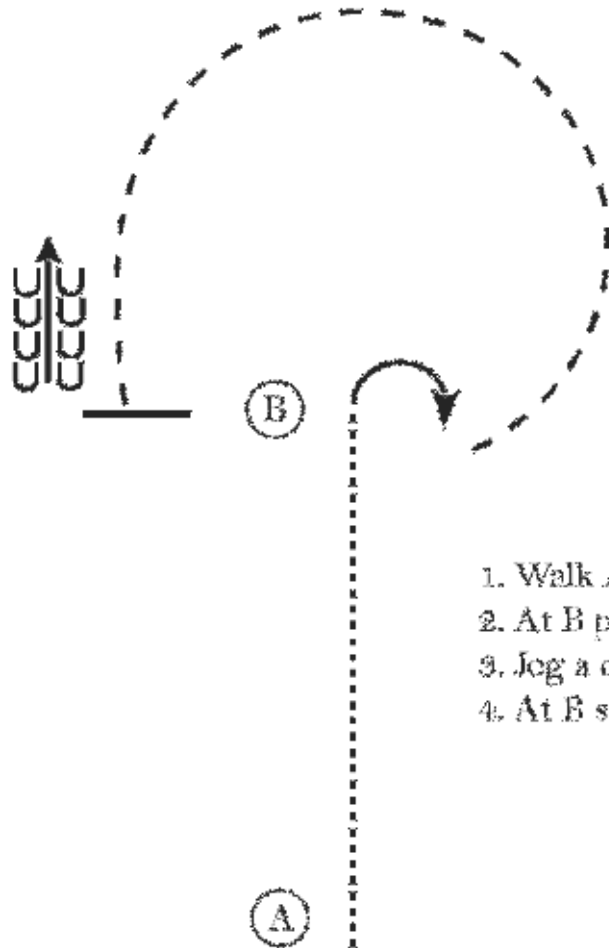
[RR/4]

Pattern Provided by:
Johanna Vorraber

Reitertreffen Weiz-Preding 2026

Western Horsemanship WT (Bew. Nr. 06)

Show Date: 05-02-2026



1. Walk A to B
2. At B perform a 90 degree turn to the right
3. Jog a circle around B
4. At B stop and back 4 steps

Walk	-----
Jog	- - - - -
Extended Jog	_____
Lope	=====
Leg Yield	
Lead Change	↘
Back	←←←←←
Marker	⊙ B
Sidepass	←←←←←

[WH/WT-7]

Pattern Provided by:
Johanna Vorraber

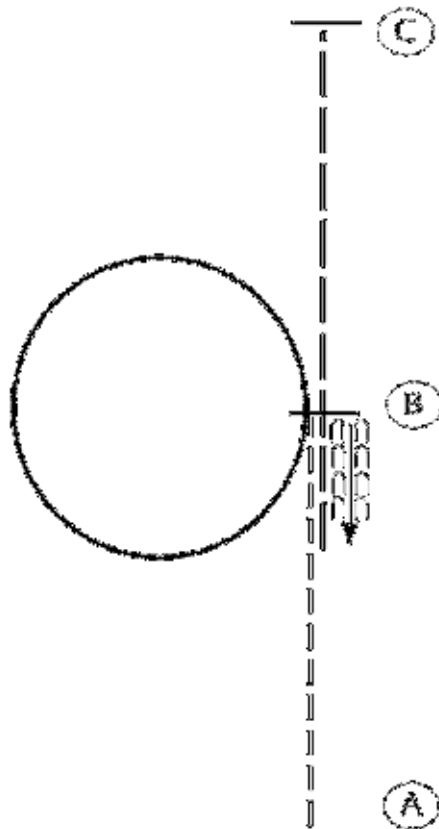
Reitertreffen Weiz-Preding 2026

Western Horsemanship Youth, Rookie (Bew. Nr. 04 und 05)

Show Date: 05-02-2026

www.HorseShowPatterns.com

www.HorseShowPatterns.com



Be ready at A.

1. Jog from A to B.
2. Lope a circle to the left on the left lead.
3. Stop at B.
4. Back one horse length at B.
5. Extend the jog to C.
6. Stop at C.

Follow the instructions of your ring steward.

Walk	-----
Jog	- - - - -
Extended Jog	— — — —
Lope	—————
Leg Yield	
Lead Change	↙ ↘
Back	← ← ← ← ←
Marker	⊙ B
Sidepass	← →

[WH/1-18]

Pattern Provided by:
Johanna Vorraber

Reitertreffen Weiz-Preding 2026

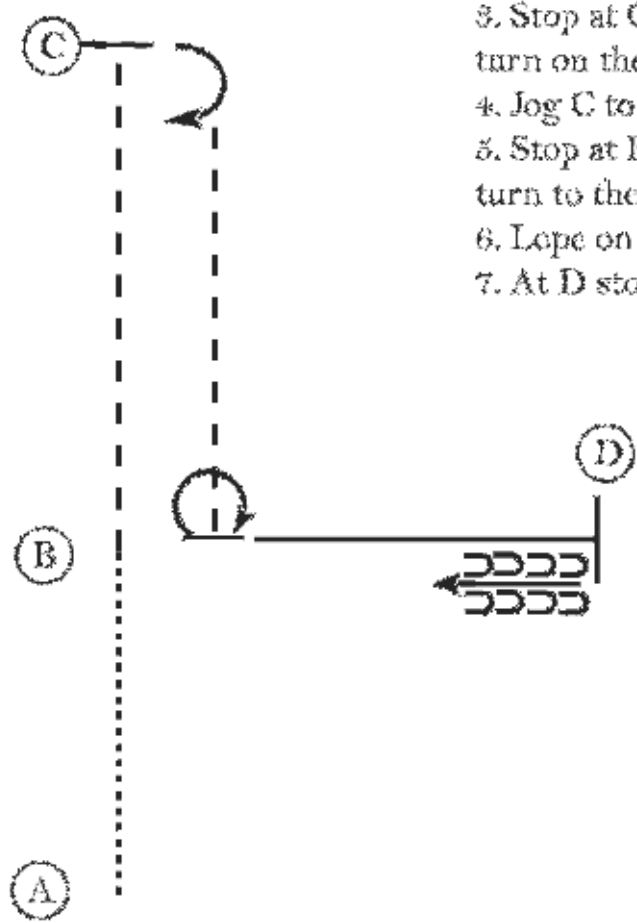
Western Horsemanship Amateur (Bew. Nr. 28)

Show Date: 05-02-2026

www.HorseShowPatterns.com

www.HorseShowPatterns.com

1. Walk A to B.
2. At B jog to C.
3. Stop at C and perform a 180 degree turn on the hindquarter to the right.
4. Jog C to B.
5. Stop at B and perform a 970 degree turn to the right on the hindquarter.
6. Lope on the left lead to D.
7. At D stop and back three steps.



Walk	-----
Jog	- - - - -
Extended Jog	—————
Lope	—————
Leg Yield	
Lead Change	↘
Back	←←←←←
Marker	Ⓚ
Sidepass	↔

[WH/1-13]

Pattern Provided by:
Johanna Vorraber